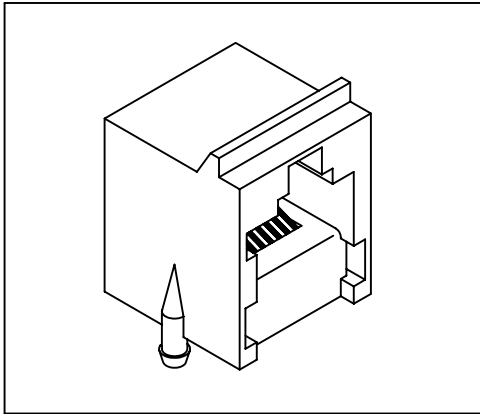


Side Entry Modular Jack

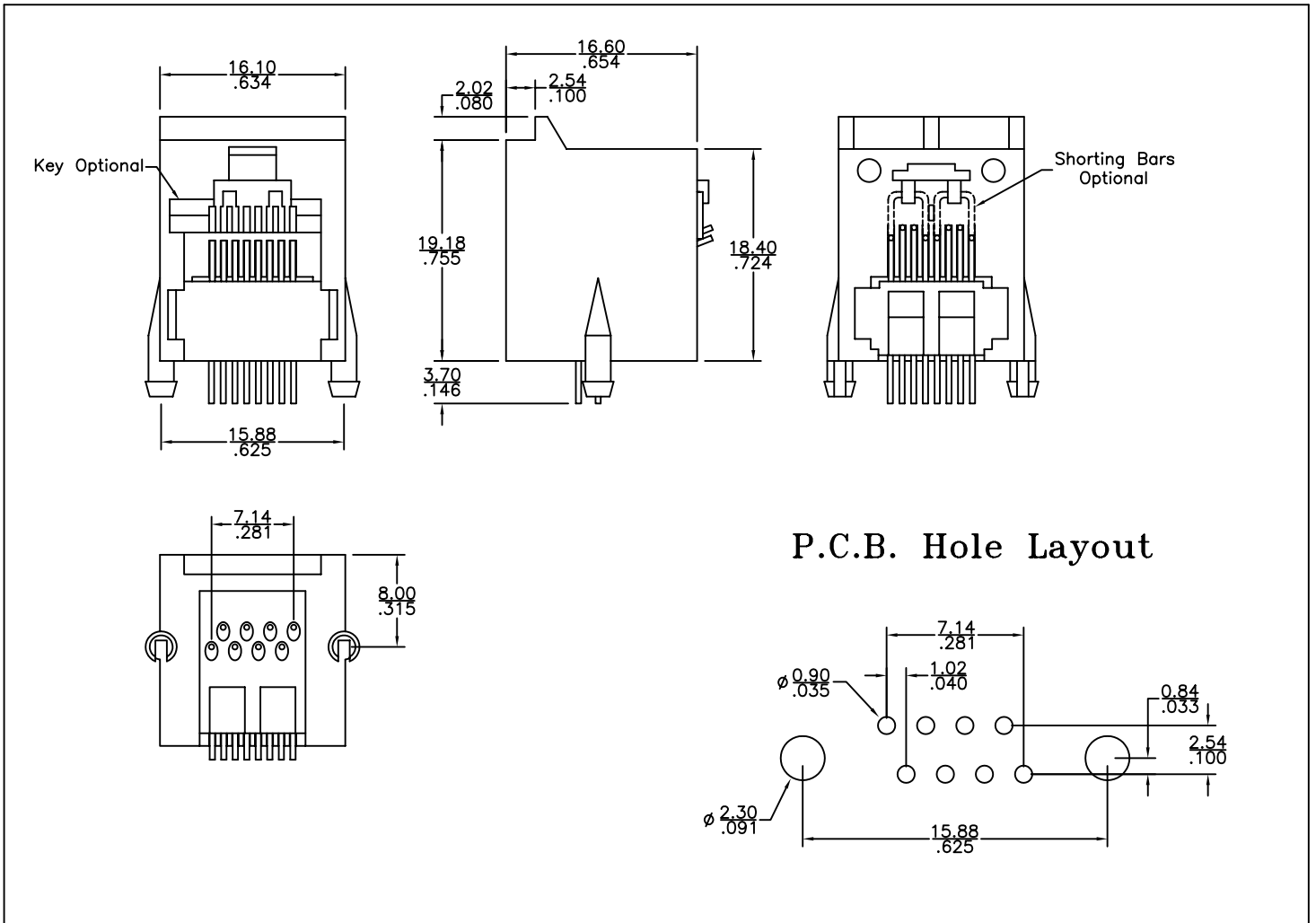
(8 Position / 8 wire P.C.B.)

3025 Series



Material and Finish:

- * Housing: DSM STANYL TE250F6 (Nylon-46) UL 94V-0
Heat Deflection Temp. 290°
Standard Color : Black.
- * Contact: 0.45mm(0.018") Diameter Phosphor Bronze.
Gold Plating over Nickel.
- * Cavity conforms to FCC rules and regulations part 68,
subpart F.
- * RoHS compliant.



Ordering Information

Series No.	No. of Position	No. of Contact	Keyed	Contact Plating	Shorting Buss
3025	8	8	1	1	1
	8	2	With key 1	6 μ" 1	With Shorting Buss 1
		4	w/o key 2	15 μ" 2	w/o Shorting Buss 1
		6		30 μ" 3	
		8		50 μ" 4	2