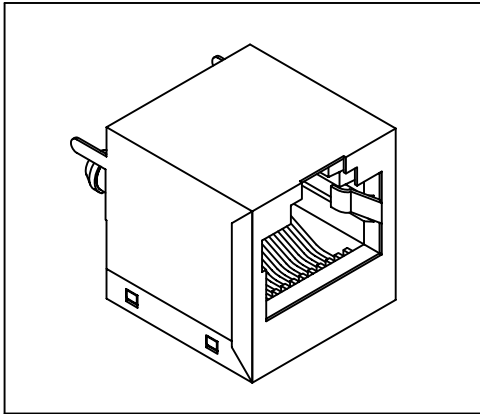


Top Entry Modular Telephone Jack

(Shielded)

3028S Series

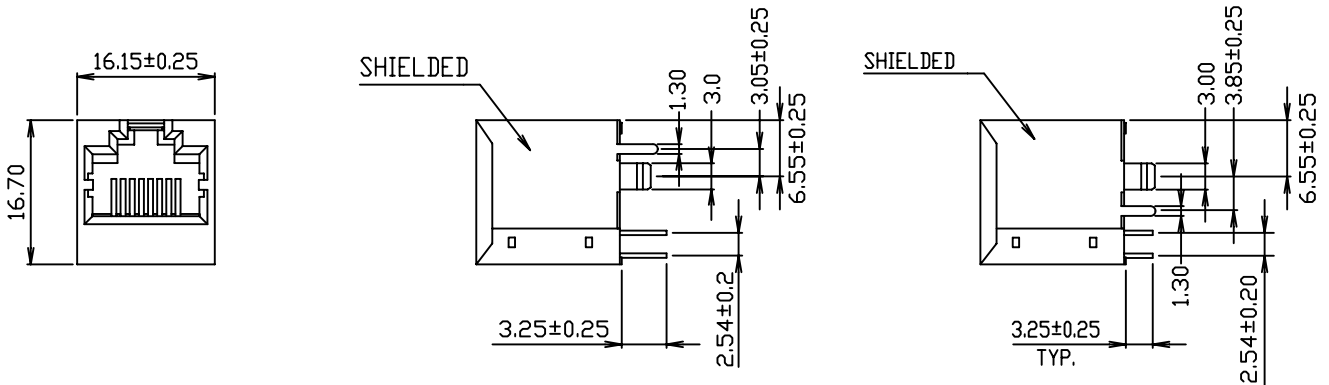


Material and Finish:

- * Housing: PBT Polyester UL94V-0 mixed Glass Fiber. Standard Color: Black.
- * Contact: 0.35mm Thickness Flat Phosphor Bronze. Gold Plating over Nickel and Gold Flash in Solder Area.
- * Shielded: 0.25mm Thickness Copper Alloy, Plated with Nickel.
- * Cavity conforms to FCC rules and regulations part 68, subpart F.
- * RoHS compliant.

A Type

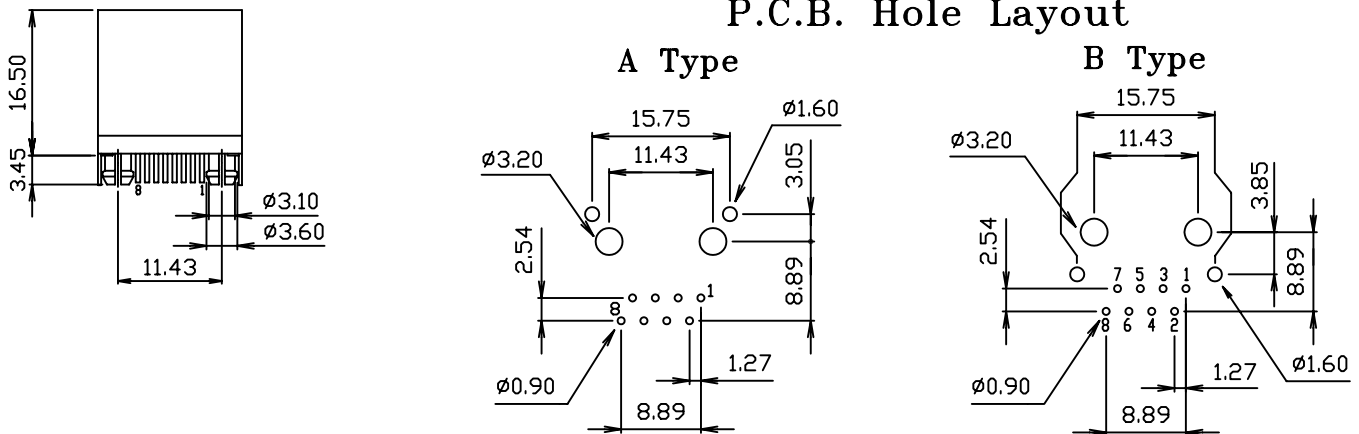
B Type



P.C.B. Hole Layout

A Type

B Type



Ordering Information

Series No.	No. of Position	No. of Contact	Keyed	Contact Plating	Shielded Pins Type
3028S	8	8	2	1	A
	8	2	w/o Key 2	6 μ" 1	3.05mm A
		4		15 μ" 2	3.85mm B
		6		30 μ" 3	
		8		50 μ" 4	
				F μ" 0	