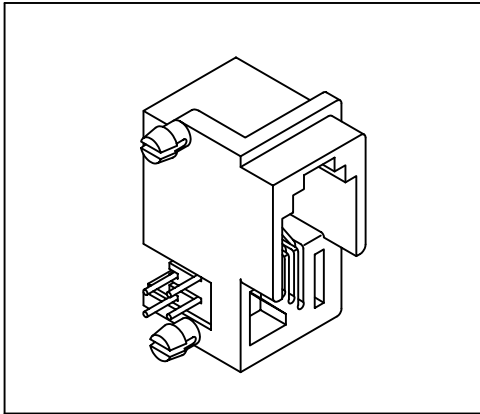


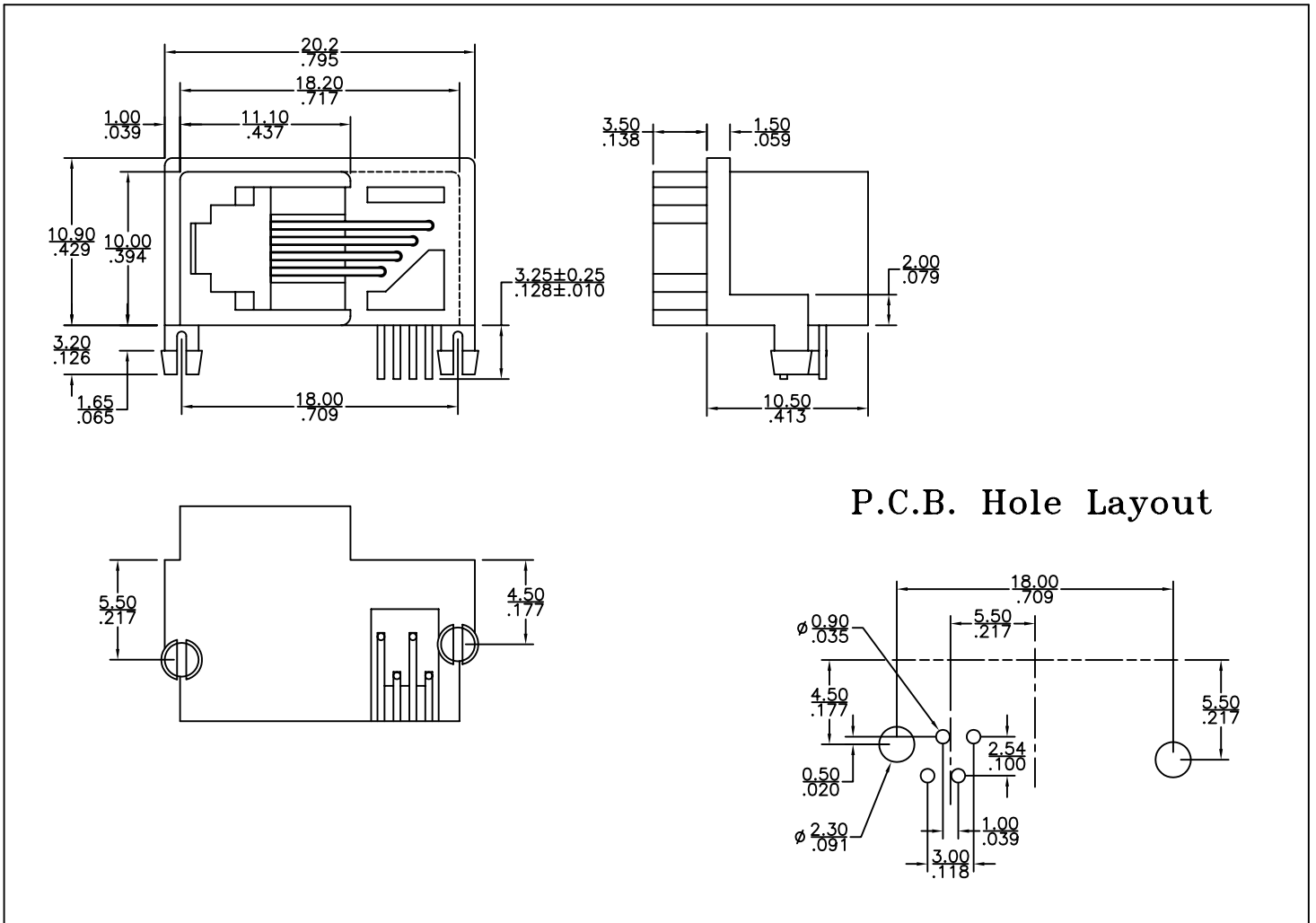
# Side Entry Modular P.C.Board Lead Jack

3035 Series



## Material and Finish:

- \* Housing: PBT Polyester UL94V-0 MIXED GLASS FIBER.  
Standard Color : Gray.
- \* Contact: 0.45mm(0.018") Diameter Phosphor Bronze.  
Gold Plating over Nickel.
- \* Cavity conforms to FCC rules and regulations part 68,  
subpart F.
- \* RoHS compliant.



## Ordering Information

Series No.	No. of Position	No. of Contact	Keyed	Contact Plating
3035	4	4	2	1
	4	2	w/o key 2	6 μ" 1
		4		15 μ" 2
				30 μ" 3
				50 μ" 4