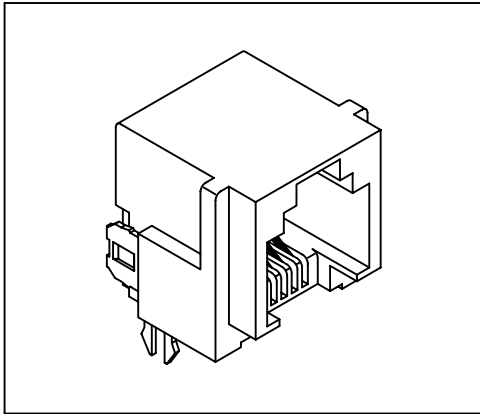


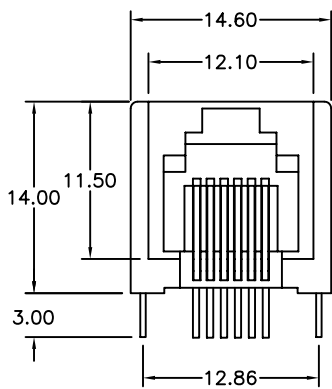
Side Entry Metal Pegs Telephone Modular Jack

3040 Series

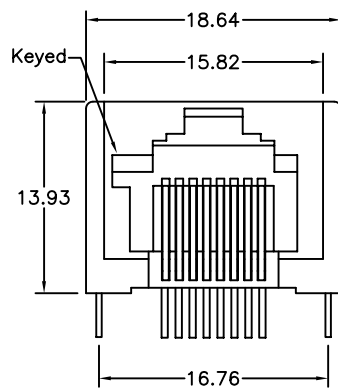


Material and Finish:

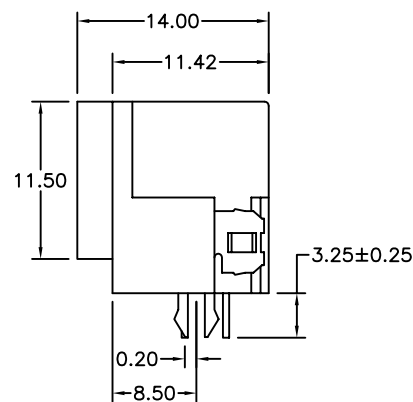
- * Housing: PBT Polyester UL94V-0 Mixed Glass Fiber.
Standard Color : Green-Gray.
- * Contact: 0.45mm(0.018") Diameter Phosphor Bronze.
Gold Plating over Nickel.
- * Metal Pegs: 0.40mm(0.016") Thickness Copper Alloy,
Plated with Tin.
- * Cavity conforms to FCC rules and regulations part 68,
subpart F.
- * RoHS compliant.



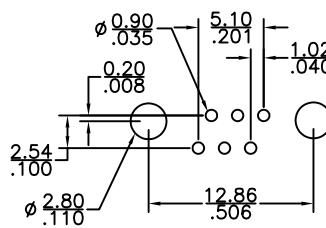
6 Position



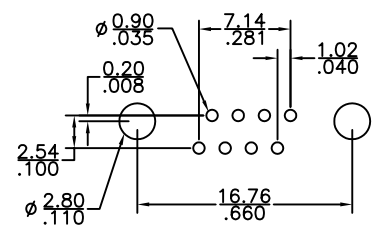
8 Position



P.C.B. Hole Layout



6 Position



8 Position

Ordering Information

Series No.	No. of Position	No. of Contact	Keyed	Contact Plating
3040	8	8	1	1
	6	2	With key 1	6 μ" 1
	8	4	w/o key 2	15 μ" 2
		6		30 μ" 3
		8		50 μ" 4