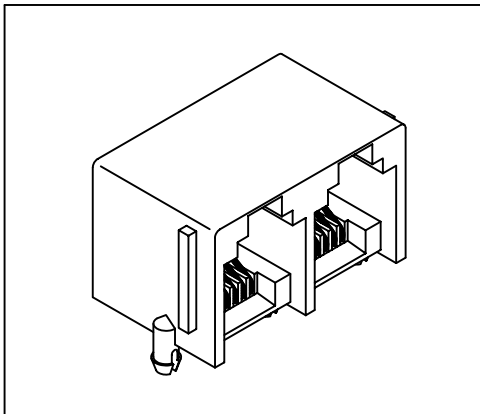


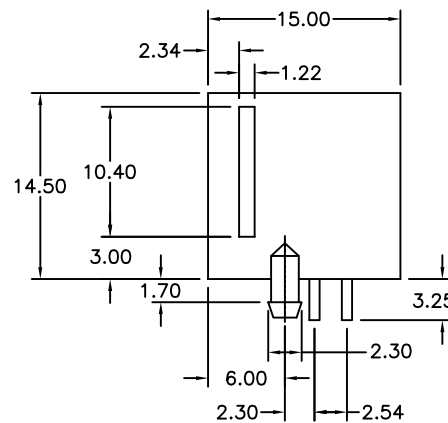
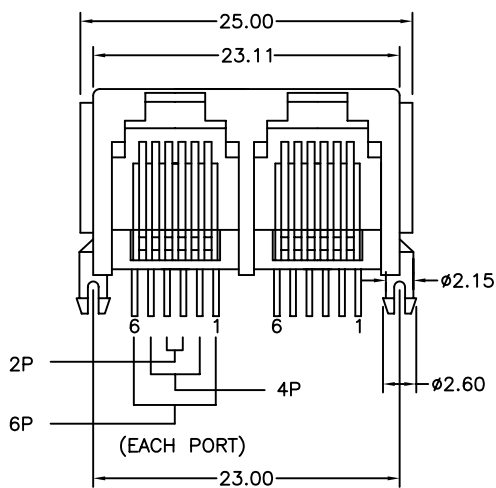
# 2 Ports Gang Jack

3060 Series

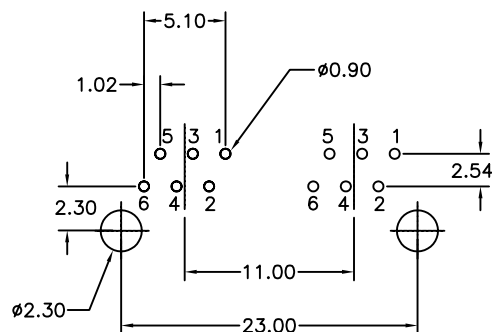
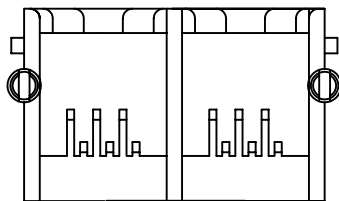


## Material and Finish:

- \* Housing: PBT Polyester UL94V-0 MIXED GLASS FIBER.  
Standard Color : Black.
- \* Contact: 0.45mm(0.018") Diameter Phosphor Bronze.  
Gold Plating over Nickel.
- \* Cavity confirms to FCC rules and regulations part 68, subpart F.
- \* RoHS compliant.



## P.C.B. Hole Layout



## Ordering Information

Series No.	No. of Position	No. of Contact	Contact Plating
3060	6	6	1
	6	2	6 μ" 1
		4	15 μ" 2
		6	30 μ" 3
			50 μ" 4