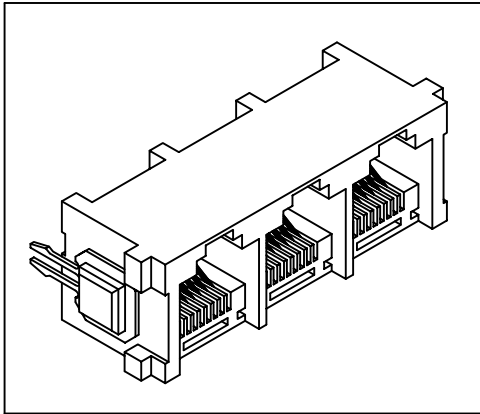


Top Entry Gang Jack

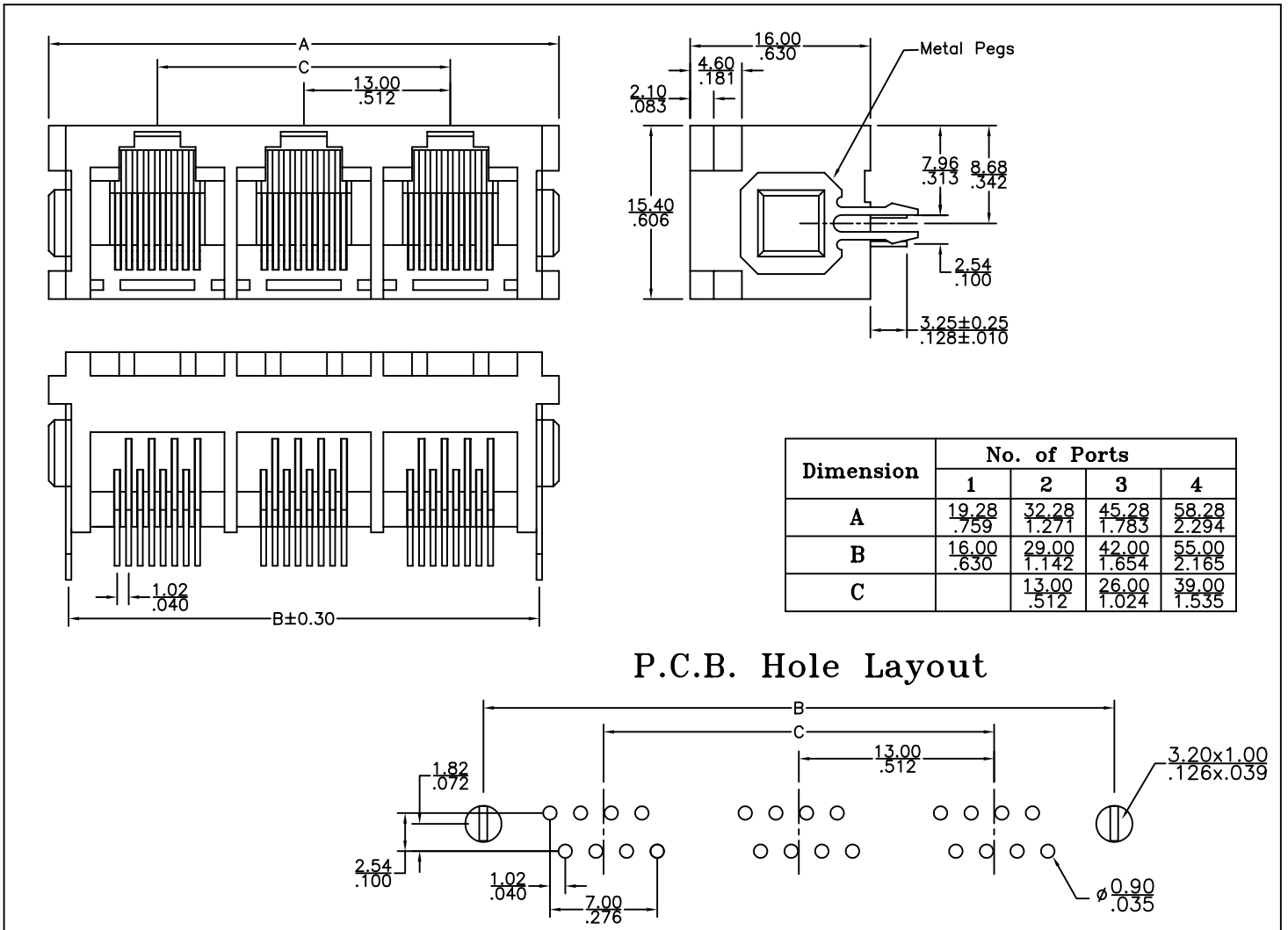
(8 p)

3061 Series



Material and Finish:

- * Housing: PBT Polyester UL94V-0 mixed Glass Fiber.
Standard Color : Gray.
- * Contact: 0.45mm(0.018") Diameter Phosphor Bronze.
Gold Plating over Nickel.
- * Metal Pegs: 0.50mm(0.02") Thickness Phosphor Bronze.
Plated with Tin.
- * Cavity conforms to FCC rules and regulations part 68,
subpart F.
- * RoHS compliant.



Ordering Information

Series No.	No. of Position	No. of Contact	No. of Ports	Contact Plating
3061	8	8	03	1
	8	2	01	6 μ" 1
		4	02	15 μ" 2
		6	03	30 μ" 3
		8	04	50 μ" 4