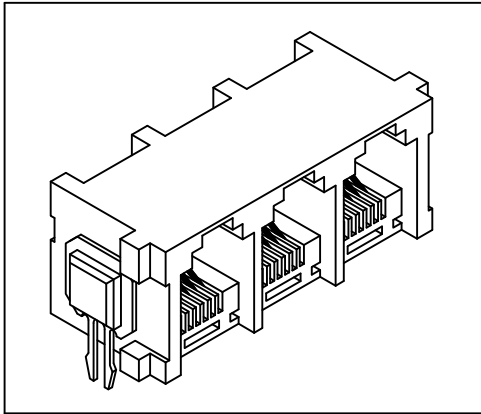


# Side Entry Gang Jack

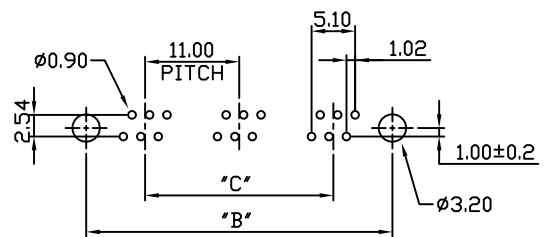
(6 p)

3062 Series

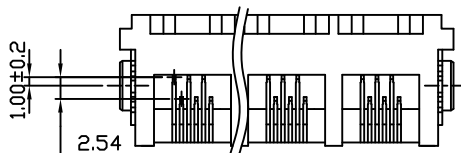
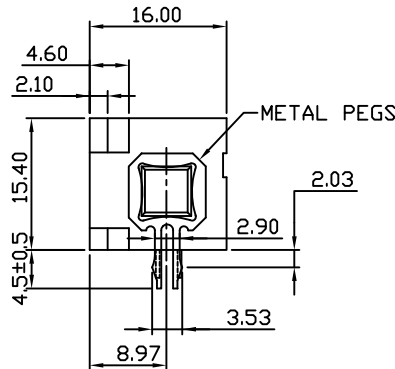
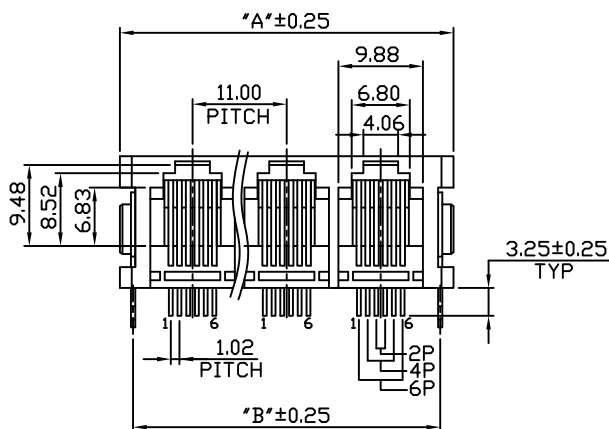


## Material and Finish:

- \* Housing: PBT Polyester UL94V-0 mixed Glass Fiber.  
Standard Color : Gray.
- \* Contact: 0.45mm Diameter Phosphor Bronze.  
Plated with Hard Gold.
- \* Metal Pegs: 0.50mm Thickness Phosphor Bronze.  
Plated with Tin.
- \* Cavity conforms to FCC rules and regulations part 68,  
subpart F.
- \* RoHS compliant.



P.C.B. Hole Layout



DIMENSION	NO. OF PORT							
	1	2	3	4	5	6	7	8
A	17.00	28.00	39.00	50.00	61.00	72.00	83.00	94.00
B	13.8	24.8	35.8	46.8	57.8	68.8	79.8	90.8
C	0	11.00	22.00	33.00	44.00	55.00	66.00	77.00

## Ordering Information

Series No.	No. of Position	No. of Contact	No. of Ports	Contact Plating
3062	6	6	03	1
	6	2	02 06	6 μ" 1
		4	03 07	15 μ" 2
		6	04 08	30 μ" 3
			05	50 μ" 4