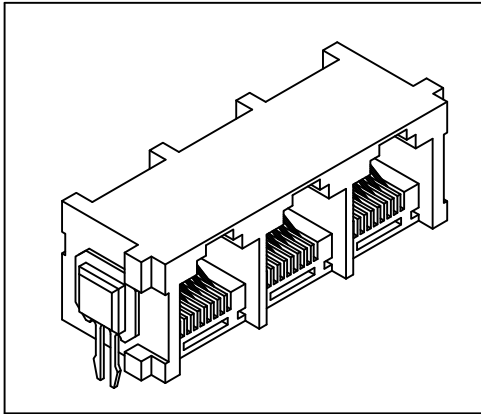


# Side Entry Gang Jack

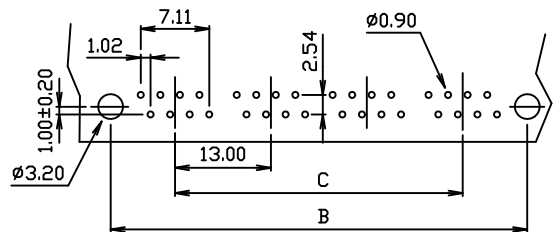
(8 p)

3062 Series

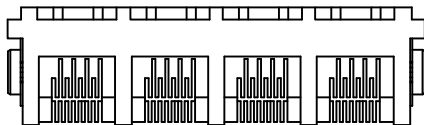
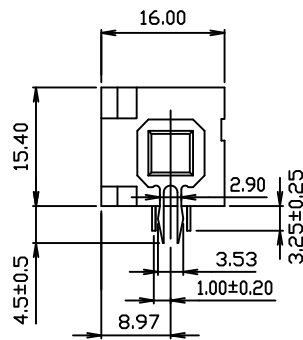
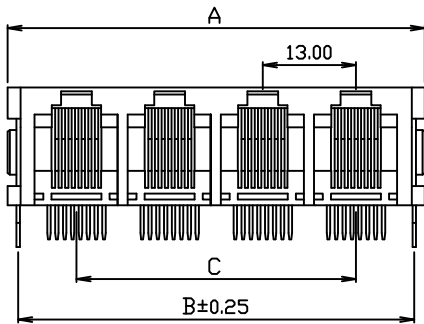


## Material and Finish:

- \* Housing: PBT Polyester UL94V-0 mixed Glass Fiber.  
Standard Color : Gray.
- \* Contact: 0.45mm Diameter Phosphor Bronze.  
Plated with Hard Gold.
- \* Metal Pegs: 0.50mm Thickness Phosphor Bronze.  
Plated with Tin.
- \* Cavity conforms to FCC rules and regulations part 68,  
subpart F.
- \* RoHS compliant.



P.C.B. Hole Layout



DIMENSION	NO. OF JACK			
	1	2	3	4
A	19.28	32.28	45.28	58.28
B	16	29	42	55
C		13.00	26.00	39.00

## Ordering Information

Series No.	No. of Position	No. of Contact	No. of Ports	Contact Plating
3062	8	8	03	1
	8	2	01	6 μ" 1
		4	02	15 μ" 2
		6	03	30 μ" 3
		8	04	50 μ" 4