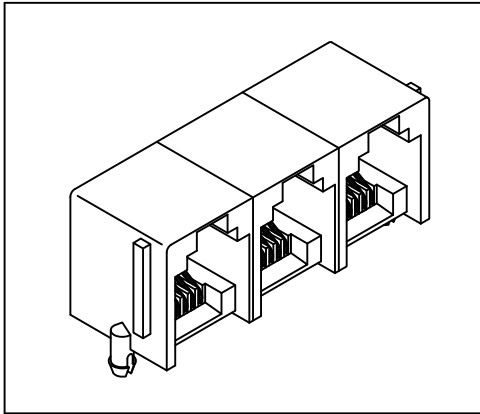


Side Entry Gang Jack

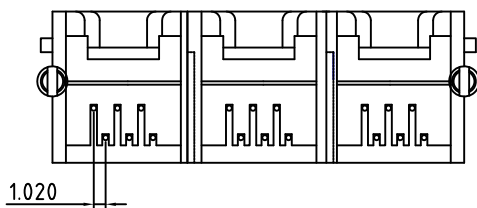
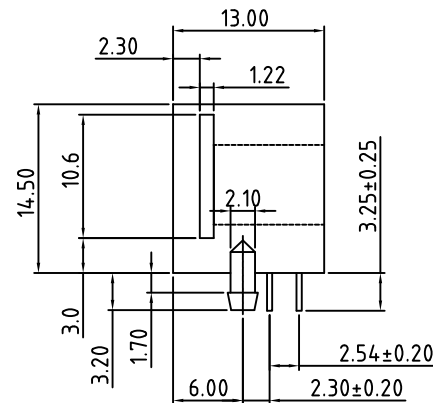
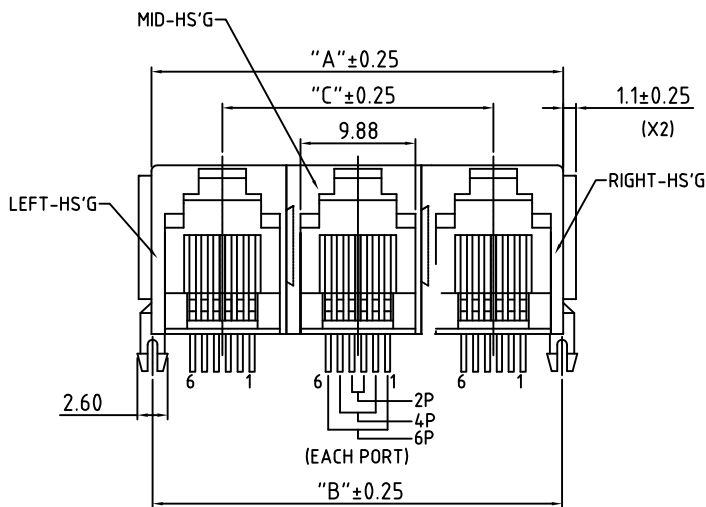
(6p Stackable)

3064 Series

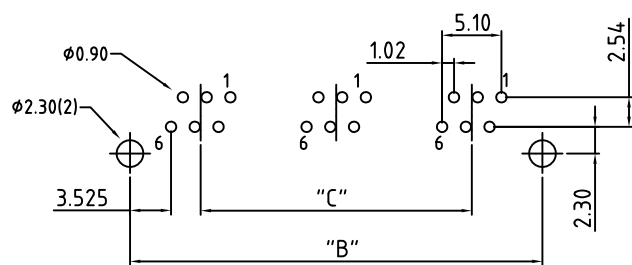


Material and Finish:

- * Housing: PBT Polyester UL94V-0 mixed Glass Fiber.
Standard Color : Black.
- * Contact: 0.45mm Diameter Phosphor Bronze,
Plated with Hard Gold.
- * Cavity conforms to FCC rules and regulations part 68,
subpart F.
- * RoHS compliant.



P.C.B. Hole Layout



"A" = 11.65(m/m)XP + 0.60(m/m)
 "B" = 11.65(m/m)XP + 0.30(m/m)
 "C" = 11.65(m/m)X(P-1)
 P = NUMBER OF PORTS

Ordering Information

Series No.	No. of Position	No. of Contact	Contact Plating	No. of Port
3064	6	6	1	02
Unassembled	6	2	6 μ" 1	02 & Up
Left Jack	3064L	4	15 μ" 2	
Middle Jack	3064M	6	30 μ" 3	
Right Jack	3064R		50 μ" 4	
Assembled	3064			