

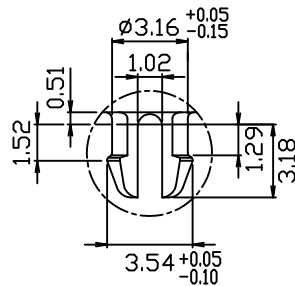
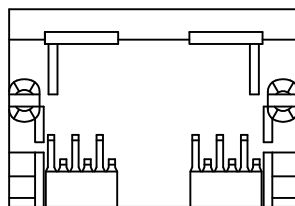
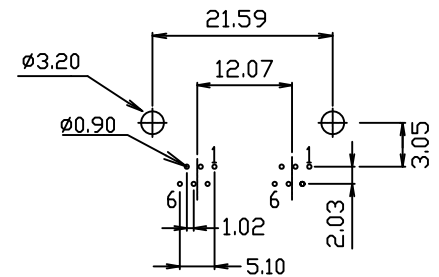
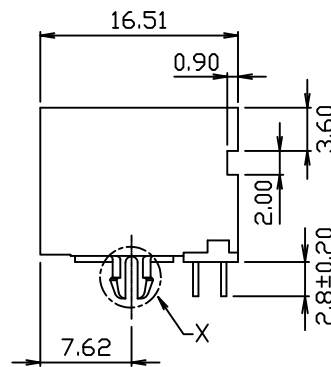
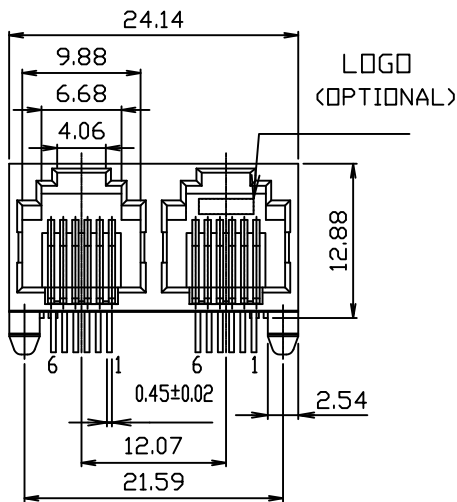
Side Entry Telephone Modular Jack

3681 Series

Material and Finish:

- * Housing: DSM Stanyl TE250F6 (Nylon-46) Heat Deflection Temp.290° Black Color, UL 94V-0
- * Contact: 0.35mm Thick Phosphor Bronze Plated with Hard Gold and Gold Flash in Solder Area.
- * Cavity confirms to FCC rules and regulations part 68, subpart F.
- * RoHS compliant.

P.C.B. Hole Layout



DETAIL X

Ordering Information

Series No.	No. of Position	No. of Contact	Keyed	Contact Plating	No. of Ports
3681	6	6	2	1	02
	6	2	w/o key 2	6 μ" 1	2 Port 02
		4		15 μ" 2	
		6		30 μ" 3	
				50 μ" 4	
				F μ" 0	