

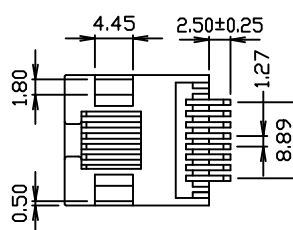
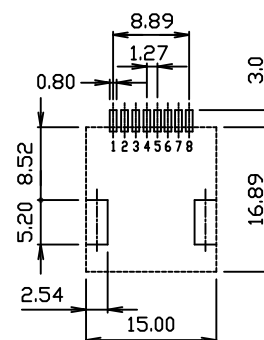
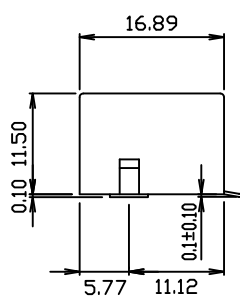
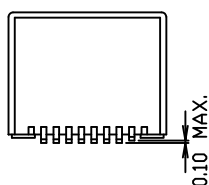
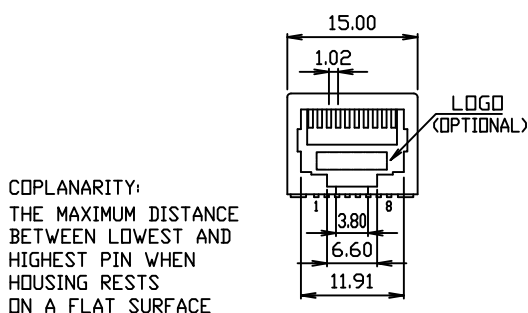
# Side Entry Low Profile S.M.T. Type Jack

3700M Series

## Material and Finish:

- \* Housing: DSM STANYL TE250F6 (Nylon-46) Heat Deflection Temp. 290°  
Black color, UL94V-0
- \* Contact: 0.35mm Thickness Phosphor Bronze  
Plated with 6u" Gold and Gold Flash in Solder Area.
- \* Hold Down: 0.30mm Thickness Copper Alloy, Plated with Tin.
- \* Cavity conforms to FCC rules and regulations part 68,  
subpart F.
- \* RoHS compliant.

## P.C.B. Hole Layout



## Ordering Information

Series No.	No. of Position	No. of Contact	Keyed	Contact Plating
3700M	10	8	2	1
	10	4	w/o key 2	6 μ" 1
		6		15 μ" 2
		8		30 μ" 3
				50 μ" 4
				F μ" 0