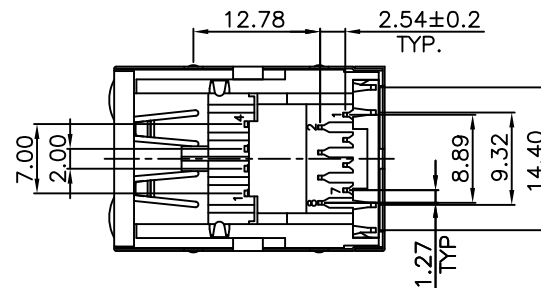
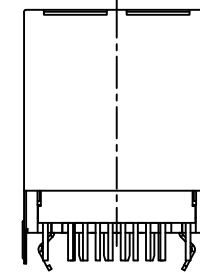
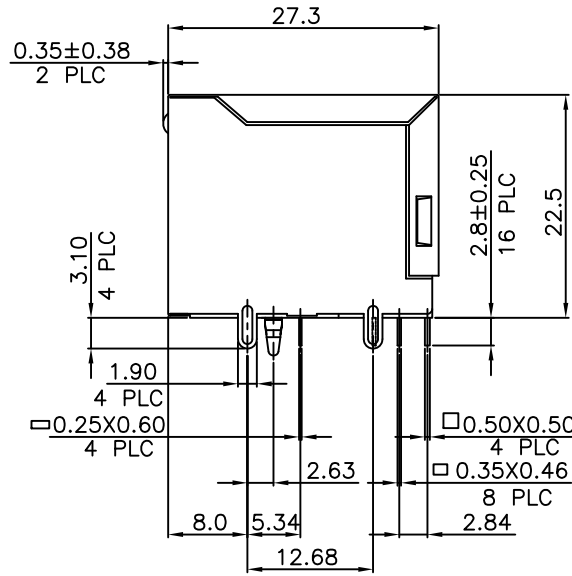
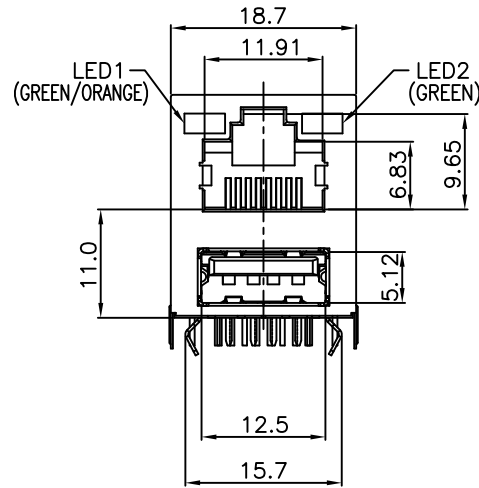
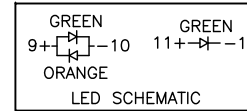
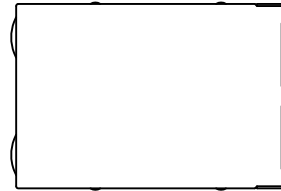
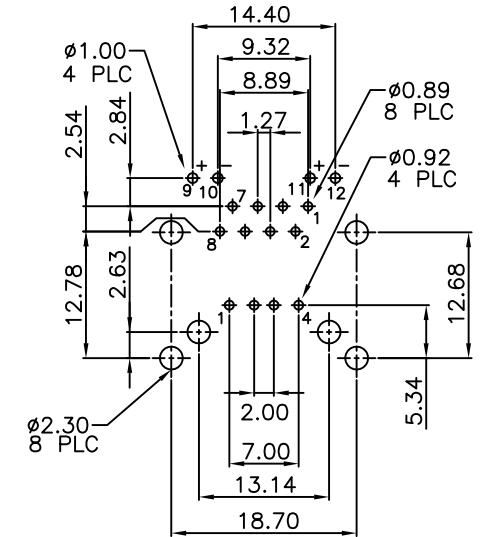


# RoHS Compliance



- MATERIAL:**
- HOUSING & COVER—PBT POLYESTER UL94V-0 MIXED GLASS FIBER. STANDARD COLOR—GRAY OR BLACK.
  - CONTACTS—0.35mm THICK PHOS-BRONZE PLATED WITH 6u" HARD GOLD AND GOLD FLASH IN SOLDER AREA.
  - SHIELD—0.20mm THICK COPPER ALLOY, PLATED WITH NICKEL.
- USB:**
- HOUSING—PBT POLYESTER UL94V-0 MIXED GLASS FIBER. STANDARD COLOR—GRAY.
  - CONTACTS—0.25mm THICK PHOS-BRONZE PLATED WITH 6u" HARD GOLD AND TIN PLATED IN SOLDER AREA.
  - SHIELD—0.30mm THICK SPCC, 80u" MIN. NICKEL PLATED.
- CAVITY CONFIRMS TO FCC RULES AND REGULATIONS PART 68, SUBPART F.



PCB LAYOUT  
Ref.

DO NOT SCALE DRAWING	TOLERANCES UNLESS OTHERWISE NOTED	INCH	MM	DR. <i>A.LI</i>	DATE MAY-22 '18	SINGATRON U.S.A.			
THIRD ANGLE PROJECTION	LINEAR	MM INCH	00± 000± 0000±	0.0±0.25 0.00±0.13 0.000±0.05	CK'D <i>A.HUANG</i>	MAY-22 '18	TITLE MODULAR JACK, RJ45 STACKED OVER USB CONN, WITHOUT LED, DIP TYPE		
MM INCH	ANGLE ±0° 30'	RADII	+0.40 -0.15	APP'D <i>M.CHANG</i>	MAY-22 '18	P/N: 3711-8811-SOL97	REV. 5	SHEET 1	