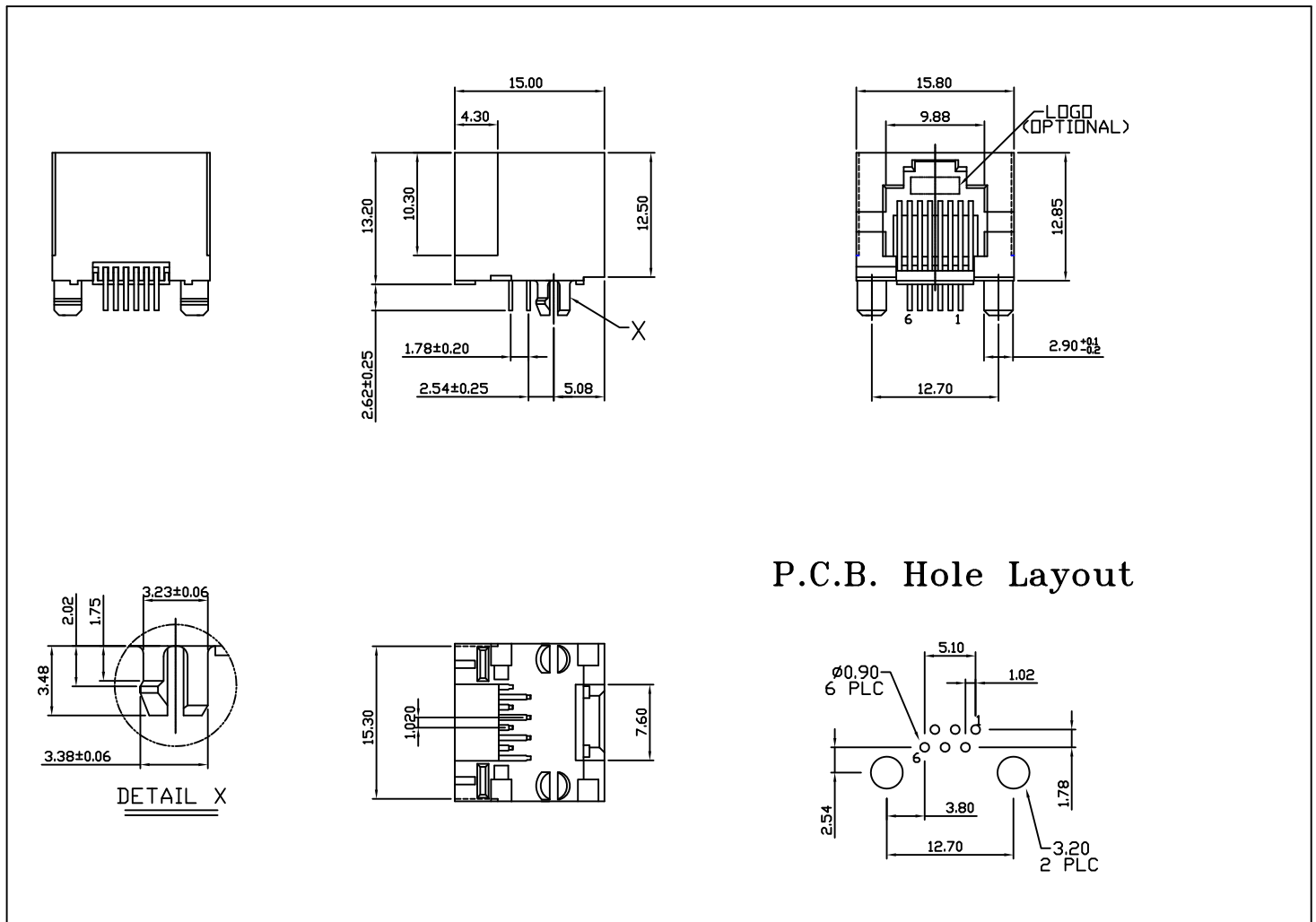


Low Profile Side Entry Modular Jack

3714 Series

Material and Finish:

- * Housing: DSM Stanyl TE250F6 (Nylon-46) Heat Deflction Temp.290°C
Black color, UL94V-0
- * Contact: 0.35mm Thick Phosphor Bronze Plated with Hard Gold
And Gold Flash in Solder Area.
- * Cavity confirms to FCC rules and regulations part 68,
subpart F.
- * RoHS compliant.



P.C.B. Hole Layout

Ordering Information

Series No.	No. of Position	No. of Contact	Keyed	Contact Plating
3714	6	6	2	1
	6	4	w/o key 2	6 μ " 1
		6		15 μ " 2
				30 μ " 3
				50 μ " 4
				F μ " 0