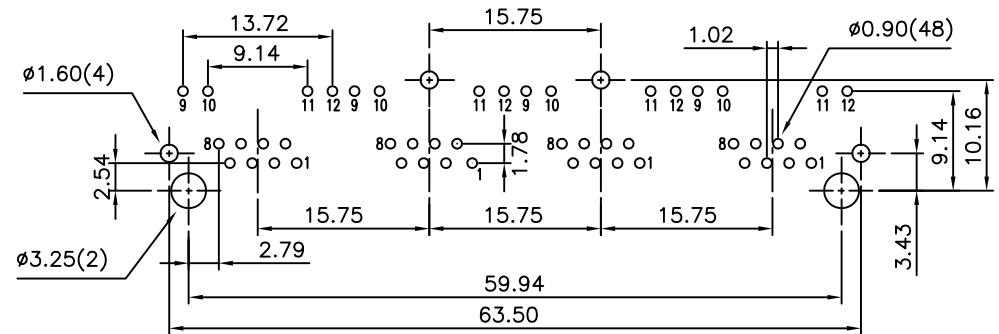
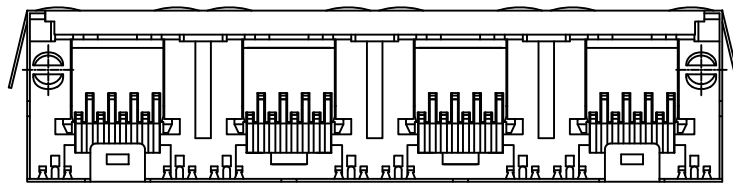
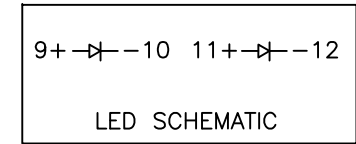
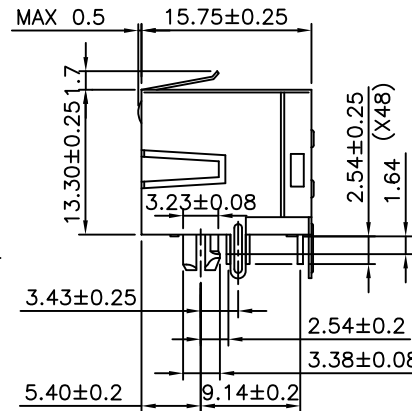
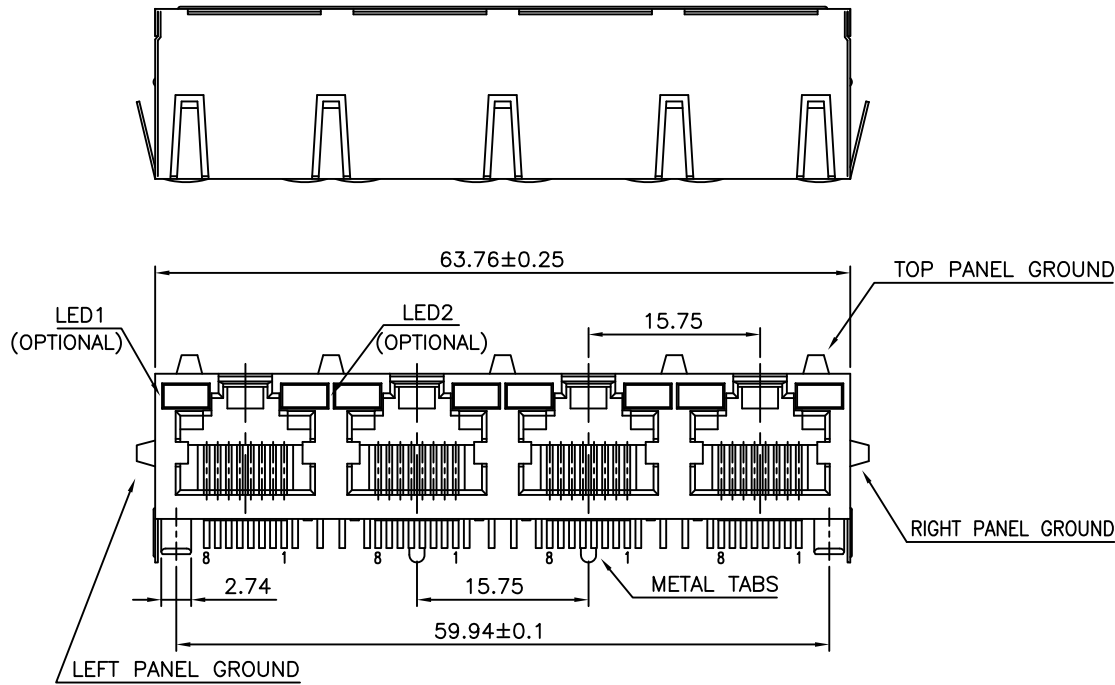


RoHS Compliance

MATERIAL:

- HOUSING—DSM STANYL TE250F6 (NYLON-46)
HEAT DEFLECTION TEMP.290°
BLACK COLOR, UL94V-0
- CONTACTS—0.35mm THICK PHOS-BRONZE PLATED
WITH HARD GOLD AND GOLD FLASH IN
SOLDER AREA.
- SHIELD—0.25mm THICK COPPER ALLOY,
PLATED WITH NICKEL.

CAVITY CONFIRMS TO FCC RULES AND REGULATIONS
PART 68,SUBPART F.



PCB LAYOUT (Ref.)

DO NOT SCALE DRAWING	TOLERANCES UNLESS OTHERWISE NOTED	INCH	MM	DR. <i>Y.H.CHEN</i>	DATE JUL-23 '07	SINGATRON U.S.A.		
THIRD ANGLE PROJECTION	LINEAR MM INCH	00 ± .01 000 ± .005 0000 ± .002	0.0 ± 0.25 0.00 ± 0.13 0.000 ± 0.05	CK'D <i>M.CHANG</i>	JUL-23 '07	TITLE 4PORTS, RJ45, WITH LED'S SHIELDED, SIDE ENTRY PCB GANGED JACK		
MM INCH	ANGLE ± 0° 30'	RADII	+ 0.40 - 0.15	APP'D <i>W.J.YANG</i>	JUL-24 '07	P/N 37141M-881X-4-S3LX	REV. A	SHEET 1

1X4 SERIES PART NO. INSTRUCTIONS

3714IM-8813-4-S3L1

SERIES NUMBER

NO. OF POSITION

NO. OF CONTACTS

COLOR OF HOUSING

0- GRAY
1- BLACK
X- OTHERSPECIAL

GOLD PLATING OPTION

1- 6 μ	5- F μ
2- 15 μ	6- PD
3- 30 μ	7- 10 μ
4- 50 μ	8- GXT30 μ

1X4 PORTS

THE STYLES OF SHIELD

S0- NON-PANEL GROUND
S1- TOP SIDE WITH PANEL GROUND
S2- LEFT & RIGHT 2 SIDES
WITH PANEL GROUND
S3- TOP & LEFT & RIGHT 3 SIDES
WITH PANEL GROUND

THE STYLES OF LED LIGHT

L1- LED1: GREEN ; LED2: YELLOW
L2- LED1: YELLOW ; LED2: GREEN
L3- LED1: GREEN ; LED2: GREEN
L4- LED1: NO LED ; LED2: GREEN
L5- LED1: GREEN ; LED2: RED/GREEN
L6- LED1: GREEN/ORANGE ;
LED2: YELLOW
L7- LED1: ORANGE/GREEN ;
LED2: ORANGE/GREEN
L8- LED1: GREEN/RED ;
LED2: YELLOW
L9- LED1: GREEN/ORANGE ;
LED2: GREEN/ORANGE
LA- LED1: GREEN ; LED2: NO LED