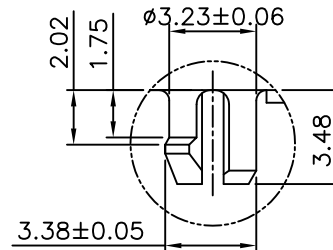
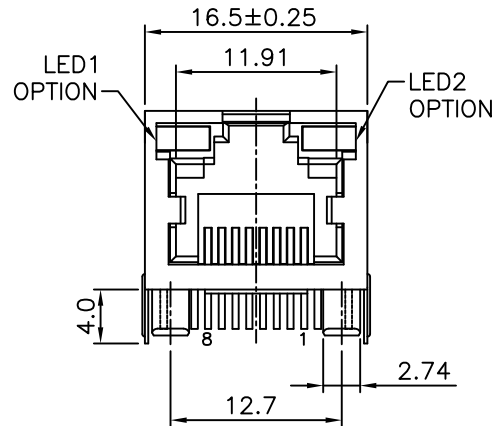
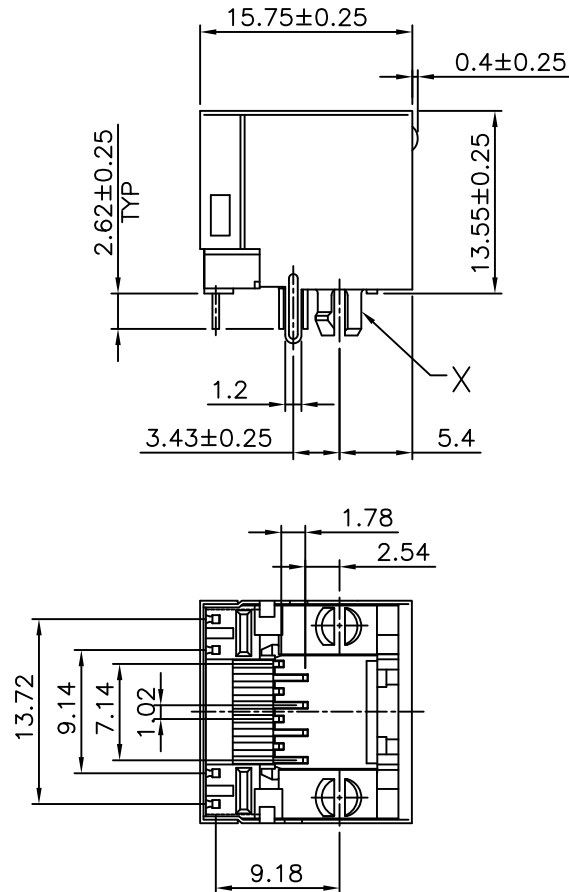
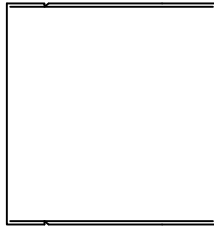
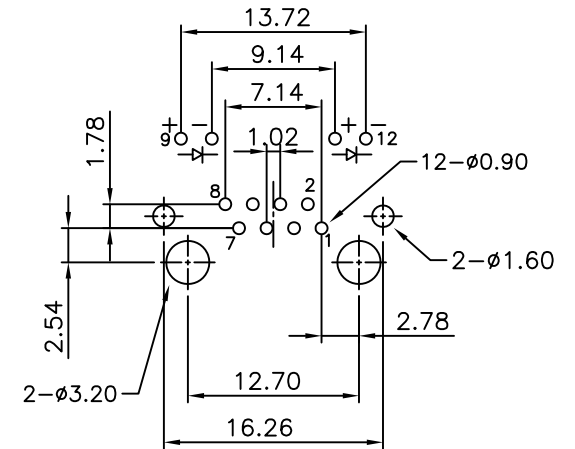


# RoHS Compliance



DETAIL X

- MATERIAL:**
- HOUSING—DSM STANYL TE250F6 (NYLON-46)  
HEAT DEFLECTION TEMP.290°  
BLACK COLOR, UL94V-0
  - CONTACTS—0.35mm THICK PHOS-BRONZE PLATED  
WITH HARD GOLD AND GOLD FLASH IN  
SOLDER AREA.
  - SHIELD—0.25mm THICK COPPER ALLOY,  
PLATED WITH NICKEL.
- CAVITY CONFIRMS TO FCC RULES AND REGULATIONS  
PART 68,SUBPART F.



PCB LAYOUT (TOP VIEW)  
RECOMMENDED

DO NOT SCALE DRAWING	TOLERANCES UNLESS OTHERWISE NOTED	INCH	MM	DR. <i>M.L.HUANG</i>	DATE APR-01 '08	SINGATRON U.S.A.		
THIRD ANGLE PROJECTION	LINEAR	MM INCH	00 ± 000 ± 0000 ±	0.0 ± 0.25 0.00 ± 0.20 0.000 ± 0.05	CK'D <i>M.CHANG</i>	APR-01 '08	TITLE	RJ45, W/O LED FLAT PIN, SIDE ENTRY JACK
MM INCH	ANGLE ± 0° 30'	RADII	± 0.40 - 0.15	APP'D <i>W.J.YANG</i>	ARP-02 '08	P/N:	3714IM-881X-SOLX	REV. A SHEET 1

# 1X1 SERIES PART NO. INSTRUCTIONS

3714IM-8814-S1L1

SERIES NUMBER

NO. OF POSITION

NO. OF CONTACTS

## COLOR OF HOUSING

0- GRAY  
 1- BLACK  
 X- OTHERSPECIAL

## GOLD PLATING OPTION

1- 6 $\mu$	5- F $\mu$
2- 15 $\mu$	6- PD
3- 30 $\mu$	7- 10 $\mu$
4- 50 $\mu$	8- GXT30 $\mu$

## THE STYLES OF SHIELD

S0- NON-PANEL GROUND  
 S1- TOP SIDE WITH PANEL GROUND  
 S2- LEFT & RIGHT 2 SIDES WITH PANEL GROUND  
 S3- TOP & LEFT & RIGHT 3 SIDES WITH PANEL GROUND

## THE STYLES OF LED LIGHT

L1- LED1: GREEN ; LED2: YELLOW  
 L2- LED1: YELLOW ; LED2: GREEN  
 L3- LED1: GREEN ; LED2: GREEN  
 L4- LED1: NO LED ; LED2: GREEN  
 L5- LED1: GREEN ; LED2: RED/GREEN  
 L6- LED1: GREEN/ORANGE ;  
 LED2: YELLOW  
 L7- LED1: ORANGE/GREEN ;  
 LED2: ORANGE/GREEN  
 L8- LED1: GREEN/RED ;  
 LED2: YELLOW  
 L9- LED1: GREEN/ORANGE ;  
 LED2: GREEN/ORANGE  
 LA- LED1: GREEN ; LED2: NO LED