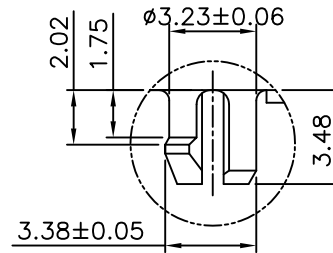
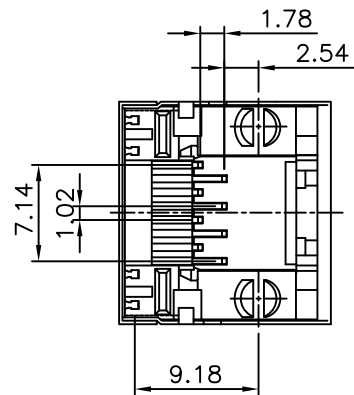
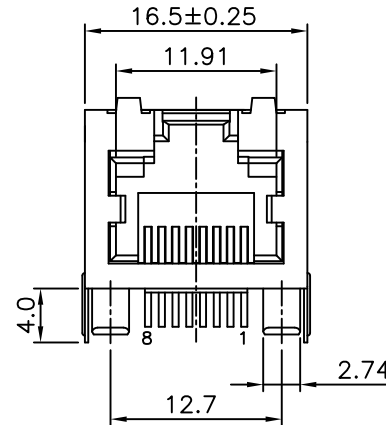
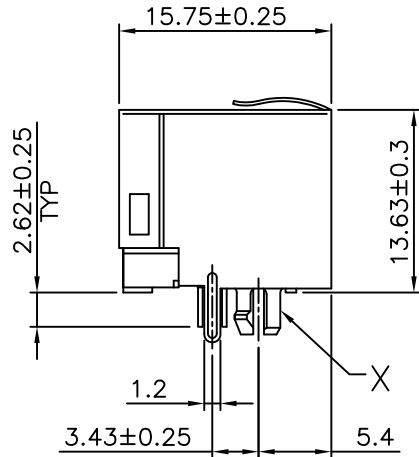
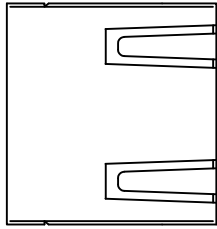


RoHS Compliance

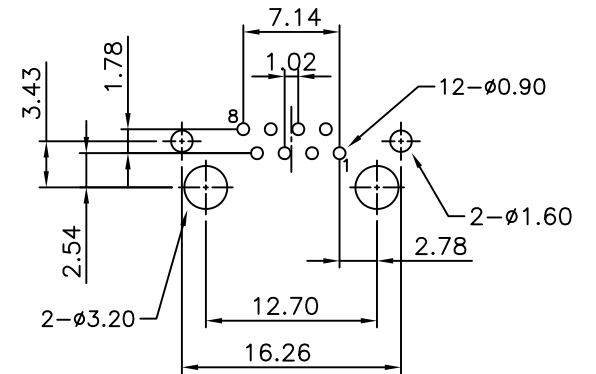


DETAIL X

MATERIAL:

- HOUSING—DSM STANYL TE250F6 (NYLON-46)
HEAT DEFLECTION TEMP.290°
BLACK COLOR, UL94V-0
- CONTACTS—0.35mm THICK PHOS-BRONZE PLATED
WITH HARD GOLD AND GOLD FLASH IN
SOLDER AREA.
- SHIELD—0.25mm THICK COPPER ALLOY,
PLATED WITH NICKEL.

CAVITY CONFIRMS TO FCC RULES AND REGULATIONS
PART 68,SUBPART F.



PCB LAYOUT (TOP VIEW)
RECOMMENDED

DO NOT SCALE DRAWING	TOLERANCES UNLESS OTHERWISE NOTED	INCH	MM	DR. <i>M.L.HUANG</i>	DATE APR-01 '08	SINGATRON U.S.A.			
THIRD ANGLE PROJECTION	LINEAR MM INCH	00 ± 000 ± 0000 ±	0.0 ± 0.25 0.00 ± 0.13 0.000 ± 0.05	CK'D <i>M.CHANG</i>	APR-01 '08	TITLE	RJ45, W/O LED FLAT PIN, SIDE ENTRY JACK		
MM INCH	ANGLE ± 0° 30'	RADII	± 0.40 - 0.15	APP'D <i>W.J.YANG</i>	ARP-02 '08	P/N:	3714IM-881X-S1	REV. A	SHEET 1

1X1 SERIES PART NO. INSTRUCTIONS

3714IM-881X-SX

SERIES NUMBER

NO. OF POSITION

NO. OF CONTACTS

COLOR OF HOUSING

0- GRAY
1- BLACK
X- OTHERSPECIAL

GOLD PLATING OPTION

1- 6 μ	5- F μ
2- 15 μ	6- PD
3- 30 μ	7- 10 μ
4- 50 μ	8- GXT30 μ

THE STYLES OF SHIELD

S0- NON-PANEL GROUND
S1- TOP SIDE WITH PANEL GROUND
S2- LEFT & RIGHT 2 SIDES
WITH PANEL GROUND
S3- TOP & LEFT & RIGHT 3 SIDES
WITH PANEL GROUND