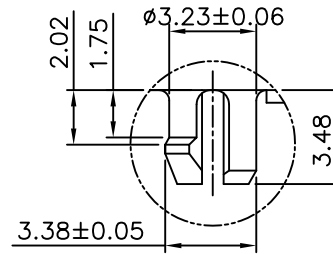
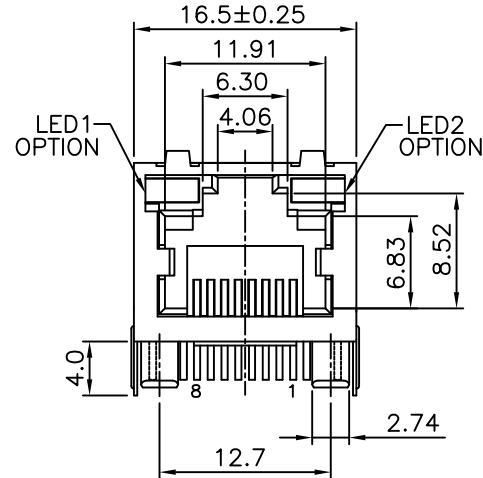
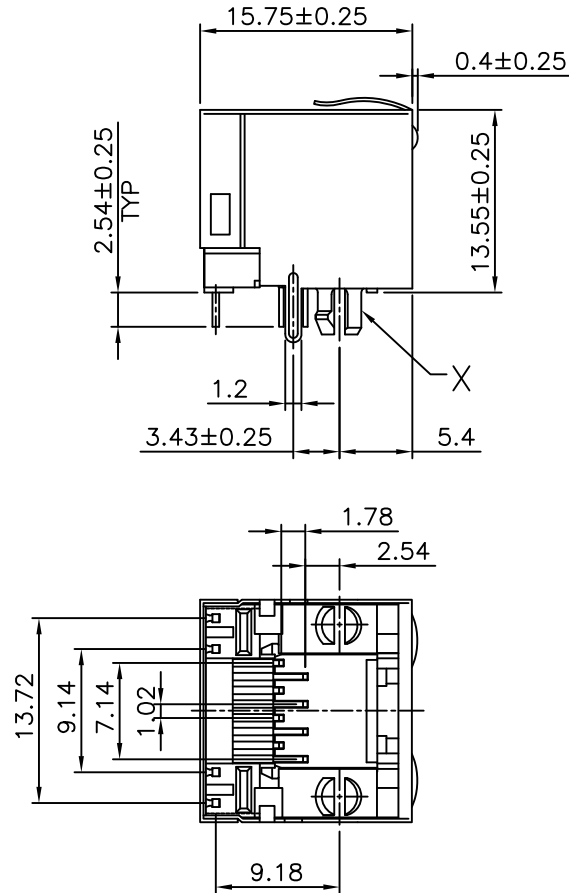
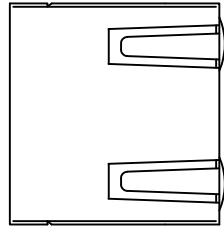
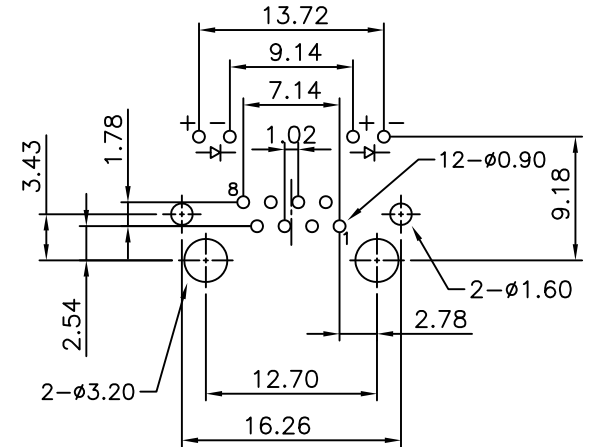


RoHS Compliance



DETAIL X

MATERIAL:
 · HOUSING—DSM STANYL TE250F6 (NYLON-46)
 HEAT DEFLECTION TEMP.290°
 BLACK COLOR, UL94V-0
 · CONTACTS—0.35mm THICK PHOS-BRONZE PLATED
 WITH HARD GOLD AND GOLD FLASH IN
 SOLDER AREA.
 · SHIELD—0.25mm THICK COPPER ALLOY,
 PLATED WITH NICKEL.
 CAVITY CONFIRMS TO FCC RULES AND REGULATIONS
 PART 68,SUBPART F.



PCB LAYOUT (TOP VIEW)
 RECOMMENDED

DO NOT SCALE DRAWING	TOLERANCES UNLESS OTHERWISE NOTED	INCH	MM	DR. <i>M.L.HUANG</i>	DATE APR-01 '08	SINGATRON U.S.A			
THIRD ANGLE PROJECTION	LINEAR MM INCH	00 ± 000 ± 0000 ±	0.0 ± 0.25 0.00 ± 0.13 0.000 ± 0.05	CK'D <i>M.CHANG</i>	APR-01 '08	TITLE	RJ45, W/O LED FLAT PIN, SIDE ENTRY JACK		
MM INCH	ANGLE ± 0° 30'	RADII	± 0.40 - 0.15	APP'D <i>W.J.YANG</i>	ARP-02 '08	P/N:	3714IM-881X-S1LX	REV. A	SHEET 1

1X1 SERIES PART NO. INSTRUCTIONS

3714IM-8814-S1L1

SERIES NUMBER

NO. OF POSITION

NO. OF CONTACTS

COLOR OF HOUSING

- 0- GRAY
- 1- BLACK
- X- OTHERSPECIAL

GOLD PLATING OPTION

- | | |
|-------------|----------------|
| 1- 6 μ | 5- F μ |
| 2- 15 μ | 6- PD |
| 3- 30 μ | 7- 10 μ |
| 4- 50 μ | 8- GXT30 μ |

THE STYLES OF SHIELD

- S0- NON-PANEL GROUND
- S1- TOP SIDE WITH PANEL GROUND
- S2- LEFT & RIGHT 2 SIDES WITH PANEL GROUND
- S3- TOP & LEFT & RIGHT 3 SIDES WITH PANEL GROUND

THE STYLES OF LED LIGHT

- L1- LED1: GREEN ; LED2: YELLOW
- L2- LED1: YELLOW ; LED2: GREEN
- L3- LED1: GREEN ; LED2: GREEN
- L4- LED1: NO LED ; LED2: GREEN
- L5- LED1: GREEN ; LED2: RED/GREEN
- L6- LED1: GREEN/ORANGE ; LED2: YELLOW
- L7- LED1: ORANGE/GREEN ; LED2: ORANGE/GREEN
- L8- LED1: GREEN/RED ; LED2: YELLOW
- L9- LED1: GREEN/ORANGE ; LED2: GREEN/ORANGE
- LA- LED1: GREEN ; LED2: NO LED