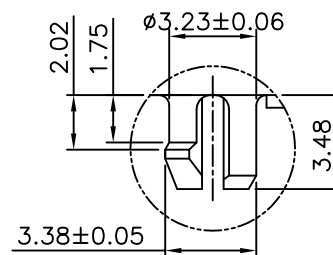
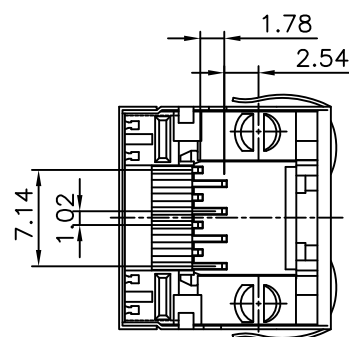
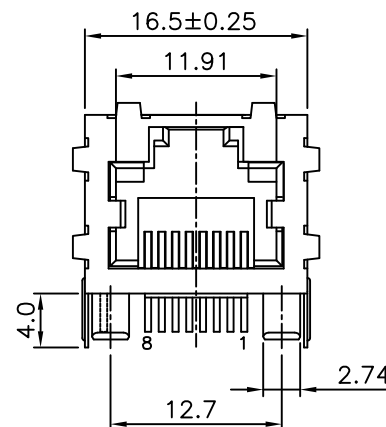
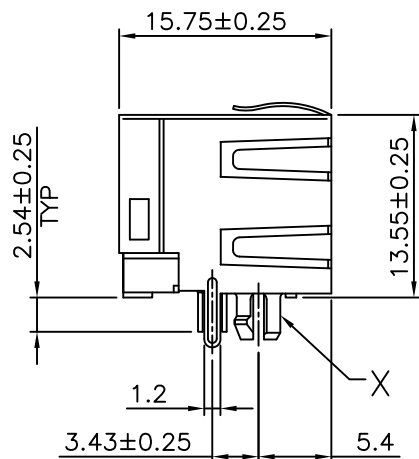
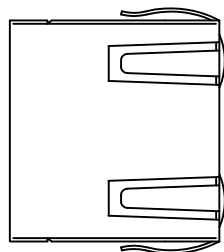


# RoHS Compliance

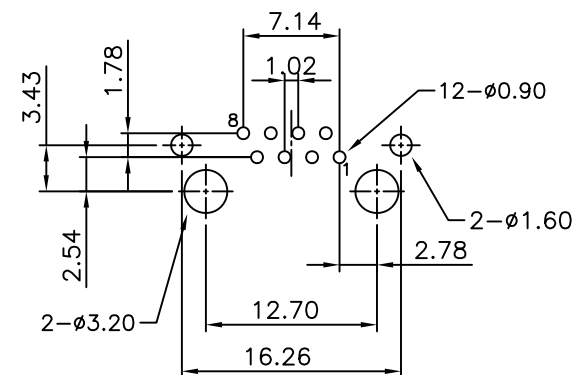


DETAIL X

**MATERIAL:**

- HOUSING—DSM STANYL TE250F6 (NYLON-46)  
HEAT DEFLECTION TEMP.290°  
BLACK COLOR, UL94V-0
- CONTACTS—0.35mm THICK PHOS-BRONZE PLATED  
WITH HARD GOLD AND GOLD FLASH IN  
SOLDER AREA.
- SHIELD—0.25mm THICK COPPER ALLOY,  
PLATED WITH NICKEL.

CAVITY CONFIRMS TO FCC RULES AND REGULATIONS  
PART 68,SUBPART F.



PCB LAYOUT (TOP VIEW)  
RECOMMENDED

DO NOT SCALE DRAWING	TOLERANCES UNLESS OTHERWISE NOTED	INCH	MM	DR. <i>M.L.HUANG</i>	DATE APR-01 '08	SINGATRON U.S.A.
THIRD ANGLE PROJECTION	LINEAR $\frac{\text{MM}}{\text{INCH}}$	00 ± 000 ± 0000 ±	0.0 ± 0.25 0.00 ± 0.13 0.000 ± 0.05	CK'D <i>M.CHANG</i>	APR-01 '08	TITLE RJ45, W/O LED FLAT PIN, SIDE ENTRY JACK
MM INCH	ANGLE ± 0° 30'	RADII	± 0.40 - 0.15	APP'D <i>W.J.YANG</i>	ARP-02 '08	P/N: 37141M-881X-SX

# 1X1 SERIES PART NO. INSTRUCTIONS

3714IM-881X-SX

SERIES NUMBER

NO. OF POSITION

NO. OF CONTACTS

COLOR OF HOUSING

0- GRAY  
1- BLACK  
X- OTHERSPECIAL

GOLD PLATING OPTION

1- 6 $\mu$	5- F $\mu$
2- 15 $\mu$	6- PD
3- 30 $\mu$	7- 10 $\mu$
4- 50 $\mu$	8- GXT30 $\mu$

THE STYLES OF SHIELD

S0- NON-PANEL GROUND  
S1- TOP SIDE WITH PANEL GROUND  
S2- LEFT & RIGHT 2 SIDES  
WITH PANEL GROUND  
S3- TOP & LEFT & RIGHT 3 SIDES  
WITH PANEL GROUND