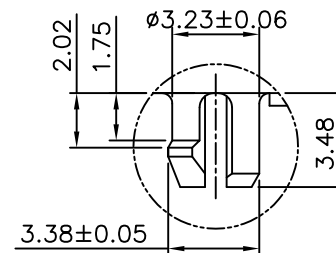
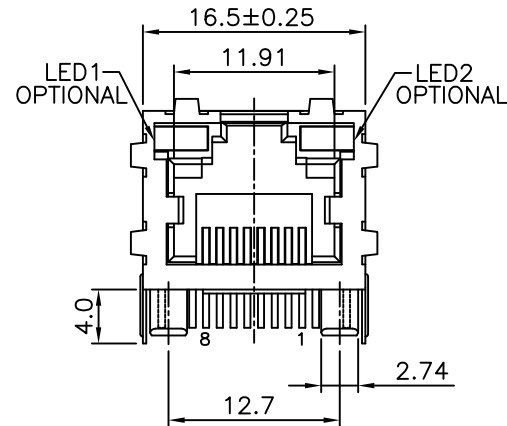
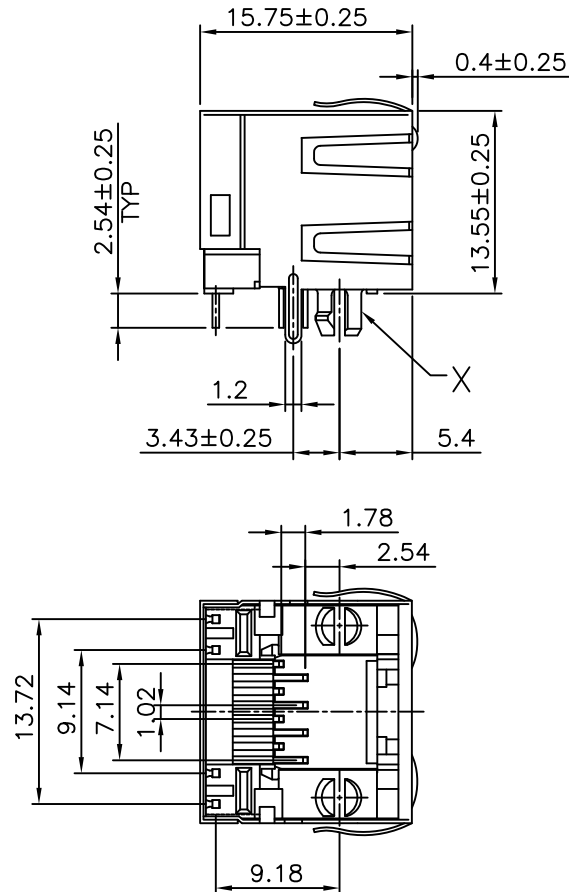
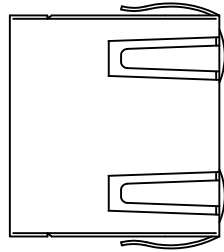


RoHS Compliance

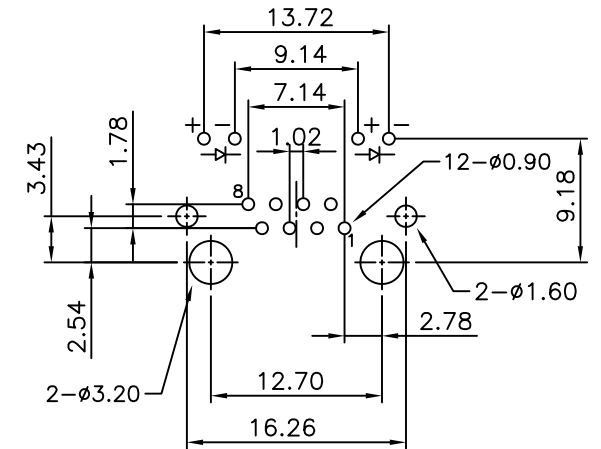


DETAIL X

MATERIAL:

- HOUSING—DSM STANYL TE250F6 (NYLON-46)
HEAT DEFLECTION TEMP.290°
BLACK COLOR, UL94V-0
- CONTACTS—0.35mm THICK PHOS-BRONZE PLATED
WITH HARD GOLD AND GOLD FLASH IN
SOLDER AREA.
- SHIELD—0.25mm THICK COPPER ALLOY,
PLATED WITH NICKEL.

CAVITY CONFIRMS TO FCC RULES AND REGULATIONS
PART 68,SUBPART F.



PCB LAYOUT (TOP VIEW)
RECOMMENDED

DO NOT SCALE DRAWING	TOLERANCES UNLESS OTHERWISE NOTED	INCH	MM	DR. <i>M.L.HUANG</i>	DATE APR-01 '08	SINGATRON U.S.A.			
THIRD ANGLE PROJECTION	LINEAR MM INCH	00 ± 000 ± 0000 ±	0.0 ± 0.25 0.00 ± 0.13 0.000 ± 0.05	CK'D <i>M.CHANG</i>	APR-01 '08	TITLE	RJ45, W/O LED FLAT PIN, SIDE ENTRY JACK		
MM INCH	ANGLE ± 0° 30'	RADII	± 0.40 - 0.15	APP'D <i>W.J.YANG</i>	ARP-02 '08	P/N:	3714IM-881X-S3LX	REV. A	SHEET 1

1X1 SERIES PART NO. INSTRUCTIONS

3714IM-881X-S3LX

SERIES NUMBER

NO. OF POSITION

NO. OF CONTACTS

COLOR OF HOUSING

0- GRAY
 1- BLACK
 X- OTHERSPECIAL

GOLD PLATING OPTION

1- 6 μ	5- F μ
2- 15 μ	6- PD
3- 30 μ	7- 10 μ
4- 50 μ	8- GXT30 μ

THE STYLES OF SHIELD

S0- NON-PANEL GROUND
 S1- TOP SIDE WITH PANEL GROUND
 S2- LEFT & RIGHT 2 SIDES
 WITH PANEL GROUND
 S3- TOP & LEFT & RIGHT 3 SIDES
 WITH PANEL GROUND

THE STYLES OF LED LIGHT

L1- LED1: GREEN ; LED2: YELLOW
 L2- LED1: YELLOW ; LED2: GREEN
 L3- LED1: GREEN ; LED2: GREEN
 L4- LED1: NO LED ; LED2: GREEN
 L5- LED1: GREEN ; LED2: RED/GREEN
 L6- LED1: GREEN/ORANGE ;
 LED2: YELLOW
 L7- LED1: ORANGE/GREEN ;
 LED2: ORANGE/GREEN
 L8- LED1: GREEN/RED ;
 LED2: YELLOW
 L9- LED1: GREEN/ORANGE ;
 LED2: GREEN/ORANGE
 LA- LED1: GREEN ; LED2: NO LED