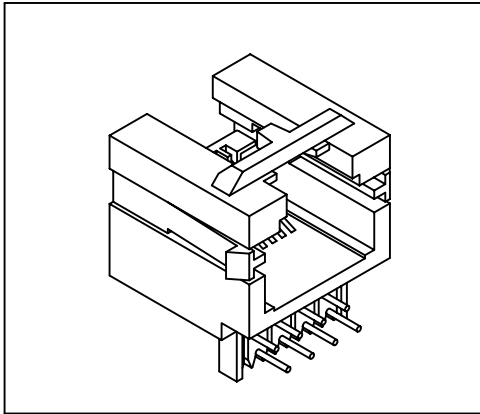


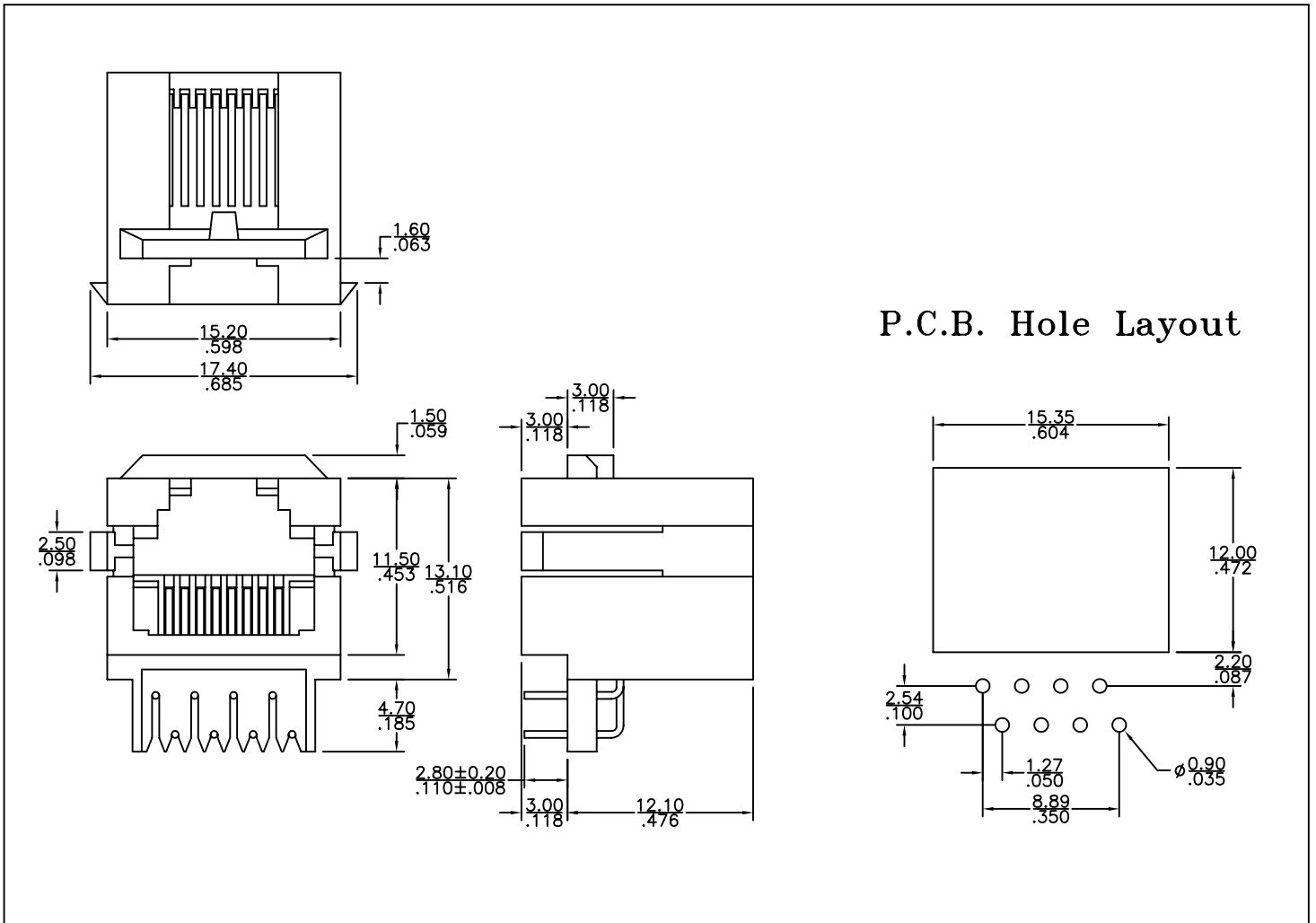
# Bottom Entry Modular Telephone Jack

3717 Series



## Material and Finish:

- \* Housing: Nylon Zytel FR-50 Hart Deflection Temp. 255°C. Black color, UL 94V-0.
- \* Contact: 0.45mm(0.018") Diameter Phosphor Bronze. Gold Plating over Nickel.
- \* Cavity conforms to FCC rules and regulations part 68, subpart F.
- \* RoHS compliant.



## Ordering Information

Series No.	No. of Position	No. of Contact	Contact Plating
3717	8	8	1
	8	2	6 μ" 1
		4	15 μ" 2
		6	30 μ" 3
		8	50 μ" 4