

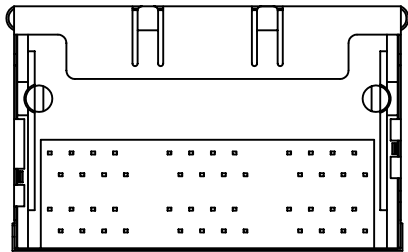
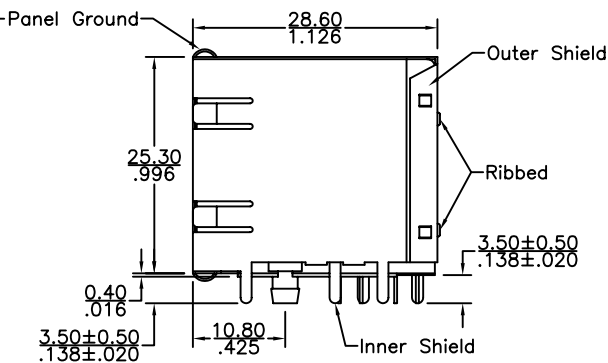
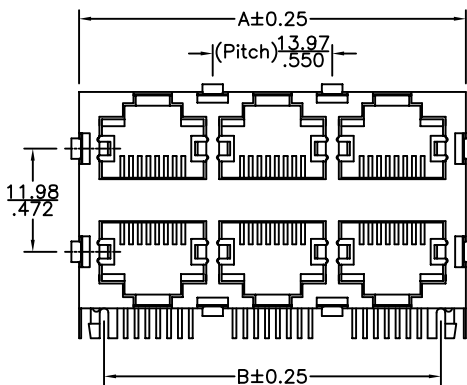
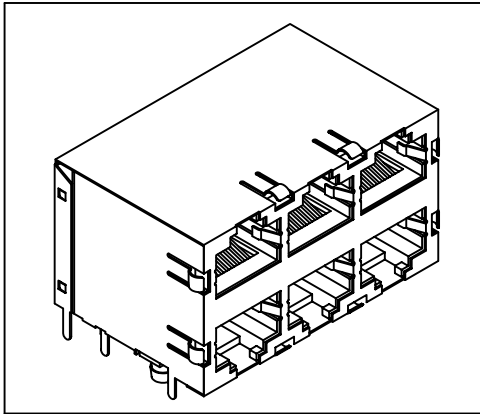
Multi-Port Side Entry Modular Jack

(Double Level, Shielded, 6,8,12,16 Port)

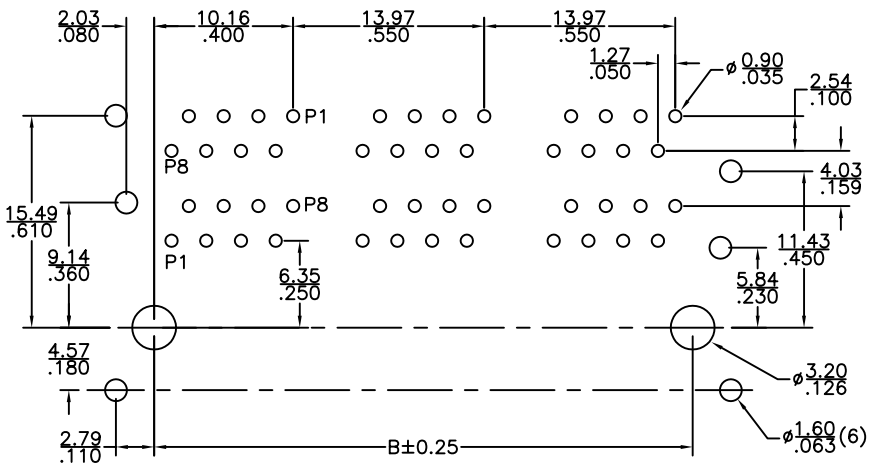
3731 Series

Material and Finish:

- * Housing: PBT Polyester UL94V-0 mixed Glass Fiber.
Standard Color: Black.
- * Contact: 0.35mm(0.014") Thickness Phosphor Bronze.
Gold Plating over Nickel.
Gold Flash in Solder Area.
- * Shielded: 0.25mm(0.010") Thickness Copper Alloy,
Plated with Nickel.
- * Cavity conforms to FCC rules and regulations part 68,
subpart F.
- * RoHS compliant.



P.C.B. Hole Layout



Dimension	No. of Ports			
	6	8	12	16
A	45.25 1.781	59.25 2.333	87.25 3.435	115.25 4.537
B	39.37 1.550	53.34 2.100	81.28 3.200	109.22 4.300

Ordering Information

Series No.	No. of Position	No. of Contact	No. of Port	Contact Plating
3731	8	8	06	1
	8	8	6 Port 06	6μ" 1
			8 Port 08	15μ" 2
			12 Port 12	30μ" 3
			16 Port 16	50μ" 4