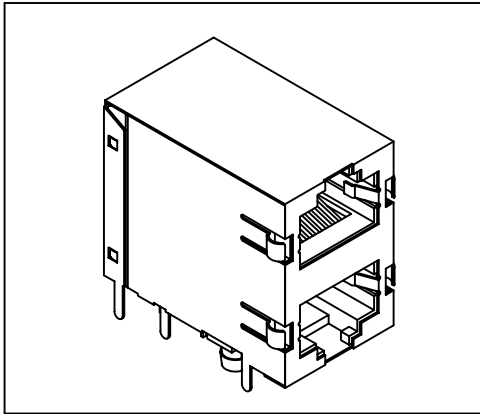


# Multi-Port Side Entry Modular Jack

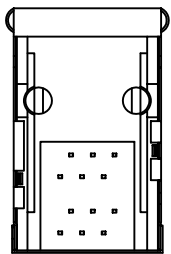
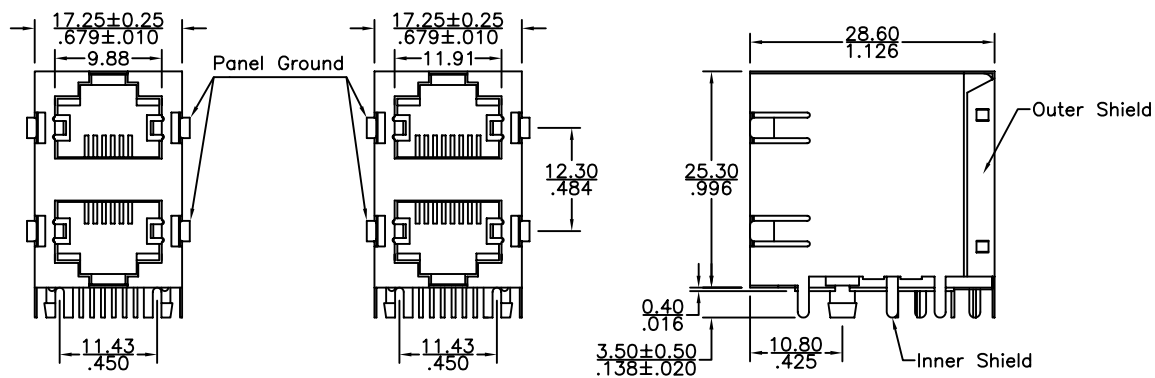
(Double Level, Shielded, 2 Port)

3731 Series

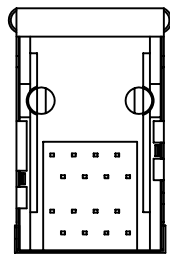


## Material and Finish:

- \* Housing: PBT Polyester UL94V-0 mixed Glass Fiber.  
Standard Color: Black.
- \* Contact: 0.35mm(0.014") Thickness Phosphor Bronze.  
Gold Plating over Nickel.  
Gold Flash in Solder Area.
- \* Shielded: 0.25mm(0.010") Thickness Copper Alloy,  
Plated with Nickel.
- \* Cavity conforms to FCC rules and regulations part 68,  
subpart F.
- \* RoHS compliant.

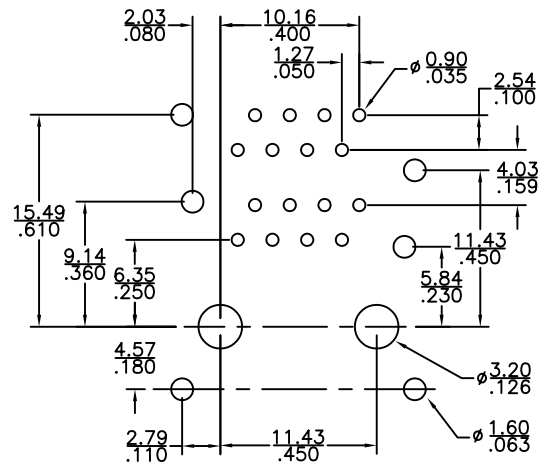


6 Position



8 Position

## P.C.B. Hole Layout



## Ordering Information

Series No.	No. of Position	No. of Contact	No. of Port	Contact Plating
3731	8	8	02	1
	6	6	2 Port 02	6 μ" 1
	8	8		15 μ" 2
				30 μ" 3
				50 μ" 4