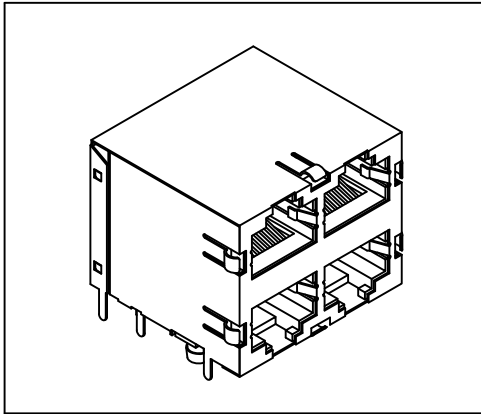


Multi-Port Side Entry Modular Jack

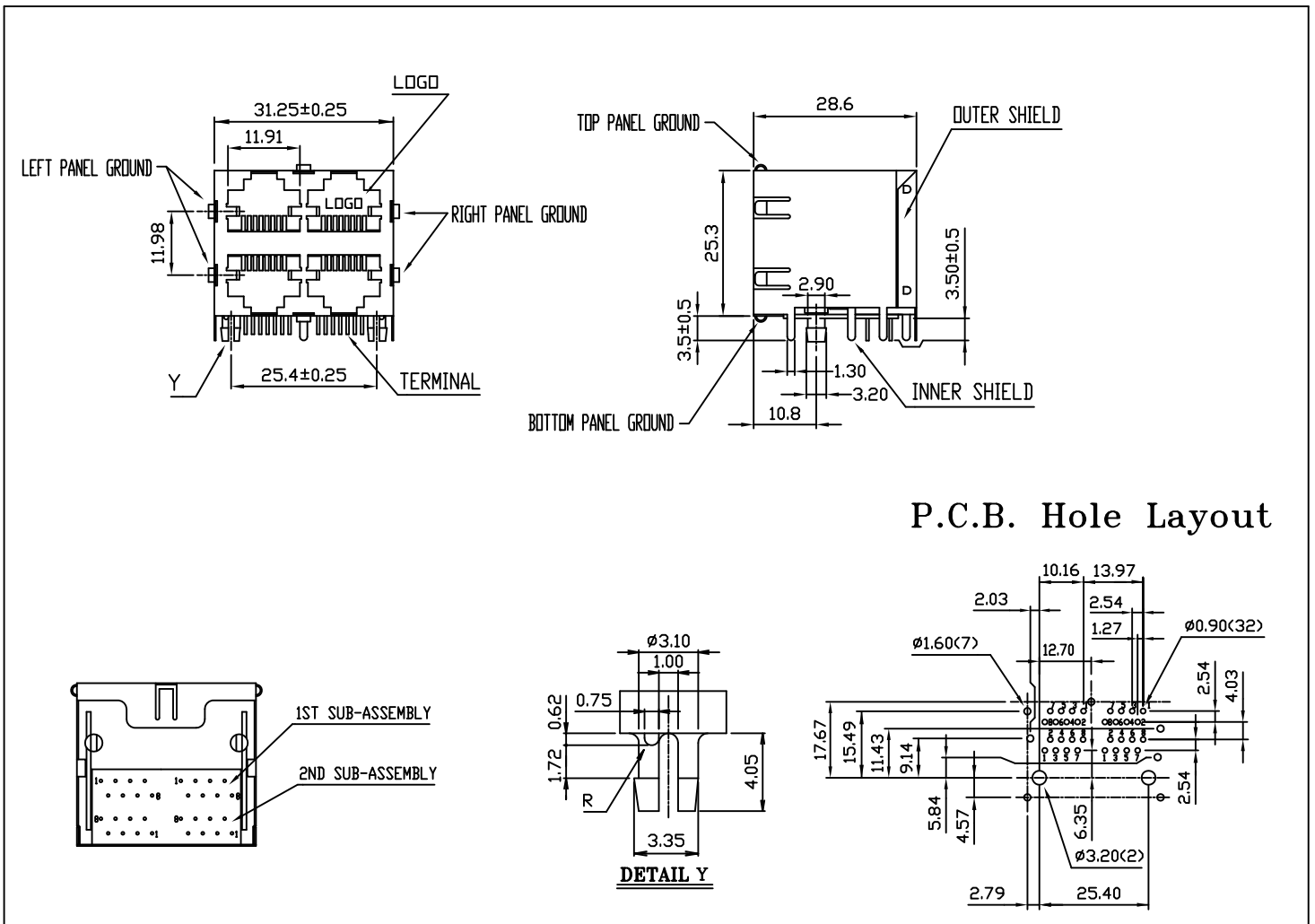
(Double Level, Shielded, 4 Port)

3731 Series



Material and Finish:

- * Housing: PBT Polyester UL94V-0 Mixed Glass Fiber.
Standard Color: Black.
- * Contact: 0.35mm Thickness Phosphor Bronze Plated with Hard Gold and Gold Flash in Solder Area.
- * Shielded: 0.25mm Thickness Copper Alloy, Plated with Nickel.
- * Cavity conforms to FCC rules and regulations part 68, subpart F.
- * RoHS compliant.



Ordering Information

Series No.	No. of Position	No. of Contact	No. of Port	Contact Plating
3731	8	8	04	1
	8	8	4 Port 04	6 μ" 1
				15 μ" 2
				30 μ" 3
				50 μ" 4
				F μ" 0