

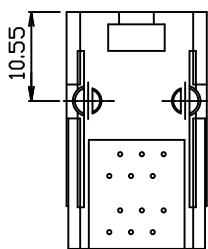
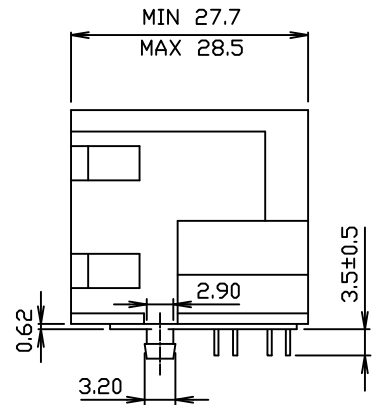
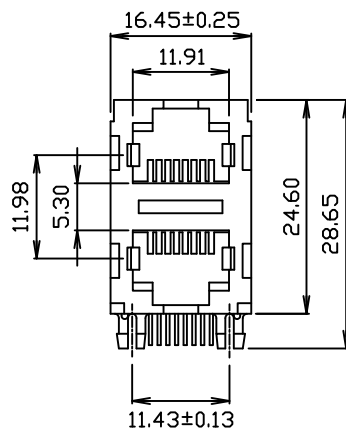
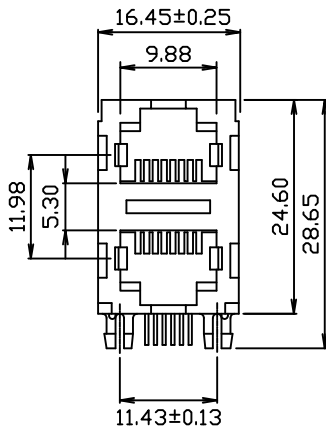
Multi-Port Side Entry Modular Jack

(Double Level, 2 Port)

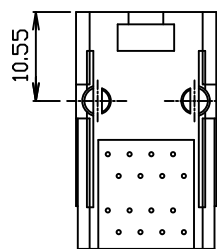
3733 Series

Material and Finish:

- * Housing: PBT Polyester UL94V-0 mixed Glass Fiber.
Standard Color: Black.
- * Contact: 0.35mm Thickness Phosphor Bronze.
Gold Plating over Nickel.
- * Cavity confirms to FCC rules and regulations part 68, subpart F.
- * RoHS compliant.

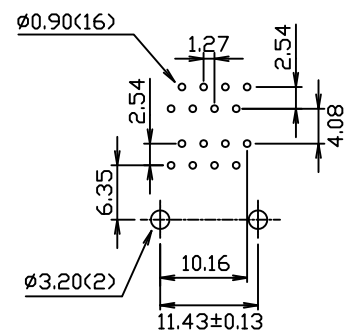


6 Position



8 Position

P.C.B. Hole Layout



Ordering Information

Series No.	No. of Position	No. of Contact	No. of Port	Contact Plating
3733	8	8	02	1
	6	6	2 Port 02	6 μ" 1
	8	8		15 μ" 2
				30 μ" 3
				50 μ" 4