

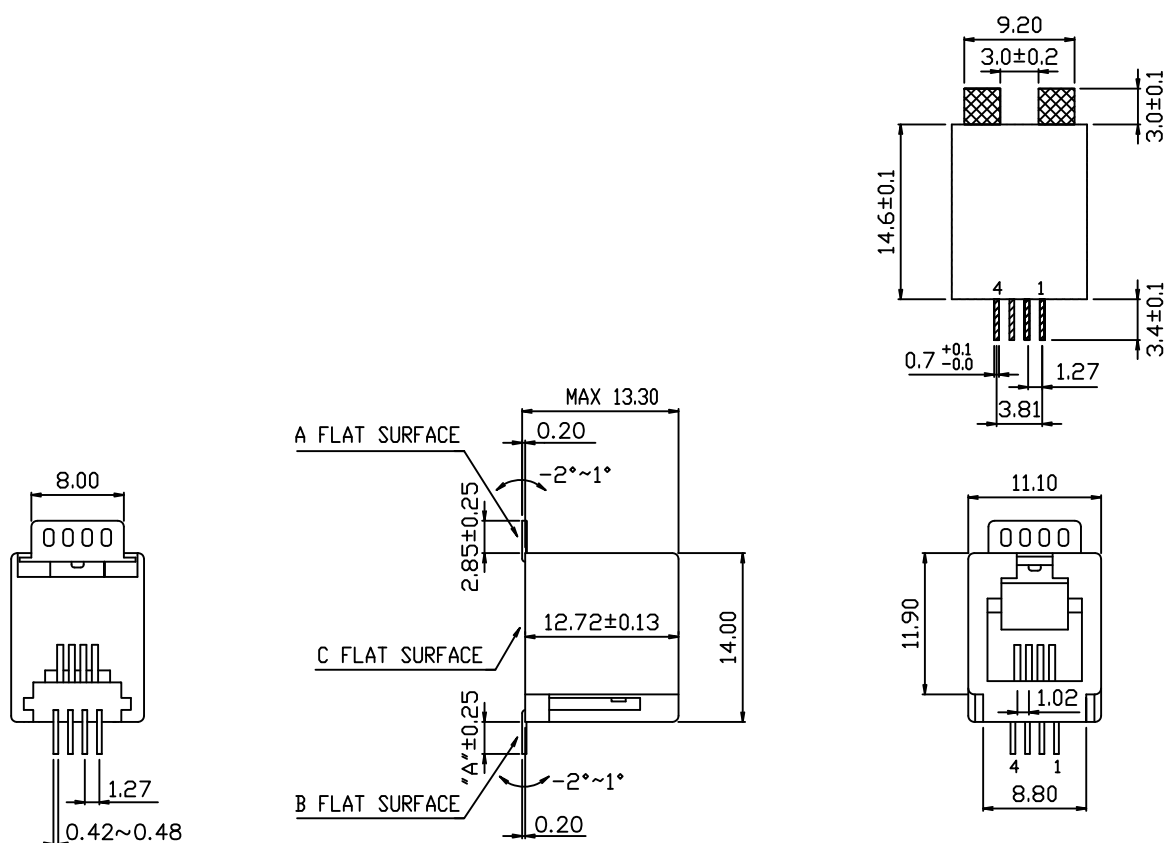
Top Entry SMT Type Modular Telephone Jack

(w/o Board Lock) 3738 Series

Material and Finish:

- * Housing: DSM Stanyl TE250F6 (Nylon-46) Heat Deflection Temp.290° UL 94V-0
Black color
- * Contact: 0.35mm Thick Phosphor Bronze Plated with Hard Gold
and Gold Flash in Solder Area.
- * Hold Down: 0.35mm Thick Copper Alloy, Plated with Tin.
- * Cavity Confirms to FCC Rules and Regulations Part 68, Subpart F.
- * RoHS compliant.

P.C.B. Hole Layout



Ordering Information

| Series No. | No. of Position | No. of Contact | Keyed | Contact Plating |
|------------|-----------------|----------------|-----------|-----------------|
| 3738 | 4 | 4 | 2 | 1 |
| | 4 | 2 | w/o Key 2 | 6 μ" 1 |
| | | 4 | | 15 μ" 2 |
| | | | | 30 μ" 3 |
| | | | | 50 μ" 4 |
| | | | | F μ" 0 |