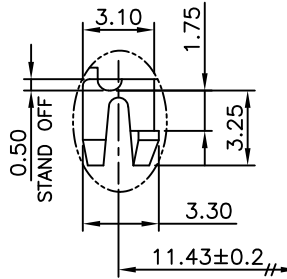
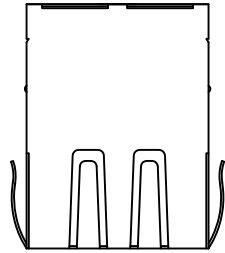


RoHS Compliance



DETAIL Z
SCALE 2:1

NOTE:

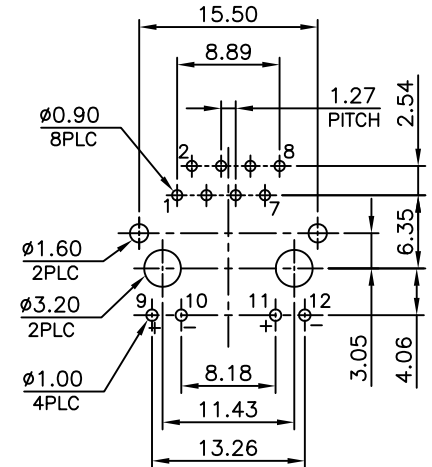
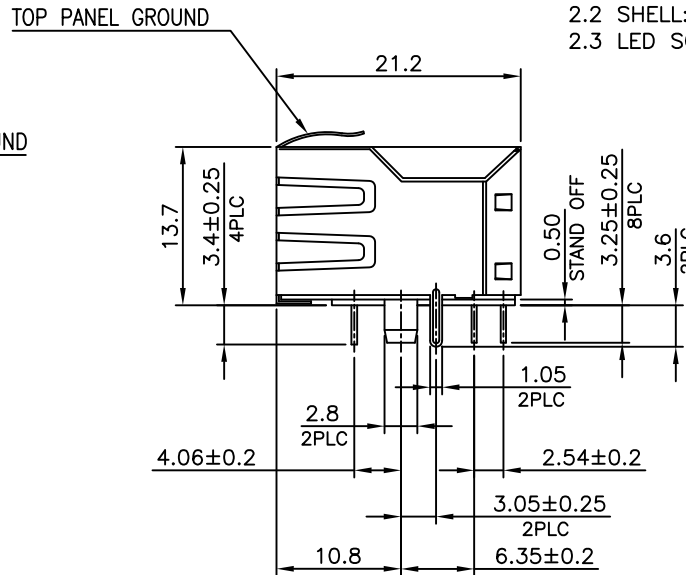
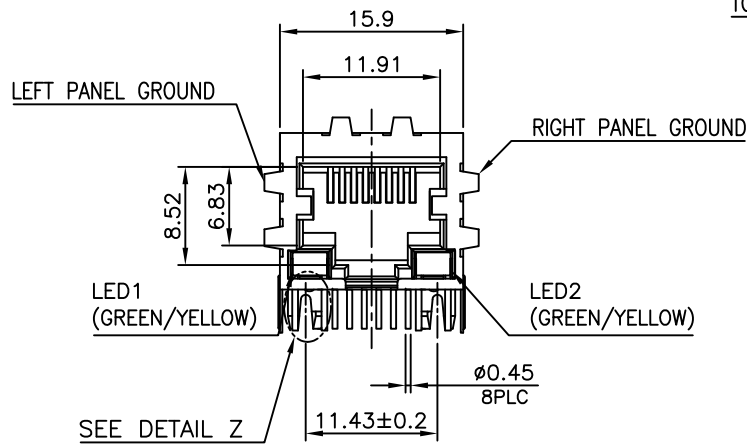
CAVITY CONFIRMS TO FCC RULES AND REGULATIONS PART 68, SUBPART F.

1. MATERIAL:

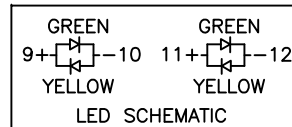
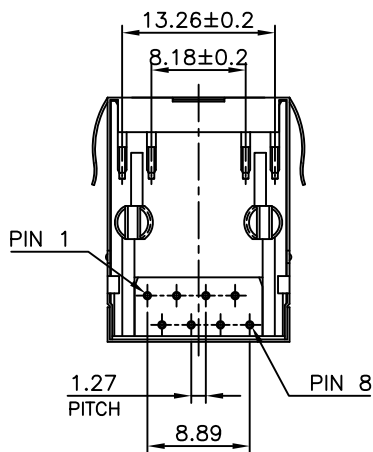
- 1.1 HOUSING: PBT, WITH GLASS FIBER, UL94V-0, STANDARD COLOR-BLACK.
- 1.2 INSERT HOUSING: PBT, WITH GLASS FIBER, UL94V-0, STANDARD COLOR-BLACK.
- 1.3 CONTACTS: 0.45mm DIA. PHOSPHOR BRONZE.
- 1.4 SHELL: BRASS.
- 1.5 LED SOLDER TAIL: STEEL.

2. FINISH:

- 2.1 CONTACTS: GOLD PLATED ON ENTIRE CONTACT, 1.27μm [50μ"] MIN. NICKEL UNDERPLATED OVERALL.
- 2.2 SHELL: 0.508μm [20μ"] MIN. NICKEL PLATED.
- 2.3 LED SOLDER TAIL: 2.032μm [80μ"] MIN. TIN PLATED.



RECOMMENDED PCB LAYOUT
PCB THICKNESS: 1.6mm
TOLERANCE: ±0.05mm (TOP VIEW)



THIS DRAWING IS A CONTROLLED DOCUMENT.
DO NOT SCALE DRAWING.

DIMENSIONS: MM	TOLERANCES UNLESS OTHERWISE SPECIFIED:
	0 PLC ± -
	1 PLC ± 0.25
	2 PLC ± 0.13
	3 PLC ± 0.05
	ANGLES ± -

SINGATRON U.S.A.

TITLE
RJ45, ROUND PIN, WITH LED,
WITH SHELL, SIDE ENTRY PCB JACK

REVISIONS	DESCRIPTION	DATE	APVD
△	-	-	-
LTR	DESCRIPTION	DATE	APVD

MATERIAL	FINISH
SEE NOTES	SEE NOTES
DWN A.HUANG	DATE JAN-19-2017
CHK M.CHANG	DATE JAN-19-2017
APVD W.J.YANG	DATE JAN-19-2017

SIZE A3	CAUGE CODE -	P/N# 3741-881X-S3LE
WEIGHT -	GRAMS Ref.	REV 1 SHEET 1

1X1 SERIES PART NO. INSTRUCTIONS

3741-8813-S3LE

SERIES NUMBER

NO. OF POSITION

NO. OF CONTACTS

COLOR OF HOUSING

- 0- GRAY
- 1- BLACK
- Y- YELLOW(114C)
- X- OTHERSPECIAL

GOLD PLATING OPTION

1- 6 μ	5- F μ
2- 15 μ	6- PD
3- 30 μ	7- 10 μ
4- 50 μ	8- GXT30 μ

THE STYLES OF LED LIGHT

LE- LED1: GREEN/YELLOW
LED2: GREEN/YELLOW

THE STYLES OF SHIELD

- S0- NON-PANEL GROUND
- S1- TOP SIDE WITH PANEL GROUND
- S2- LEFT & RIGHT 2 SIDES WITH PANEL GROUND
- S3- TOP & LEFT & RIGHT 3 SIDES WITH PANEL GROUND