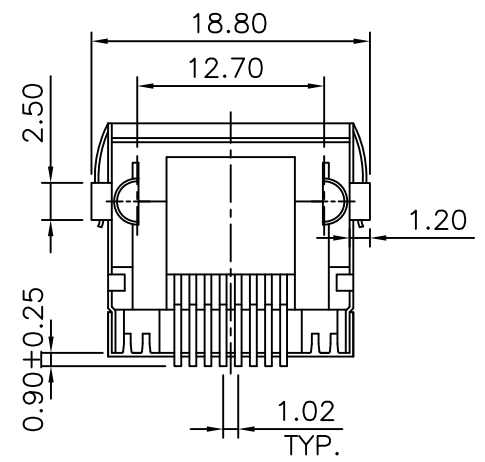
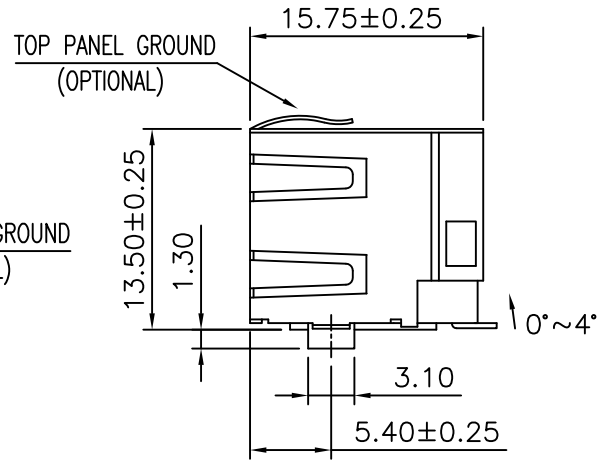
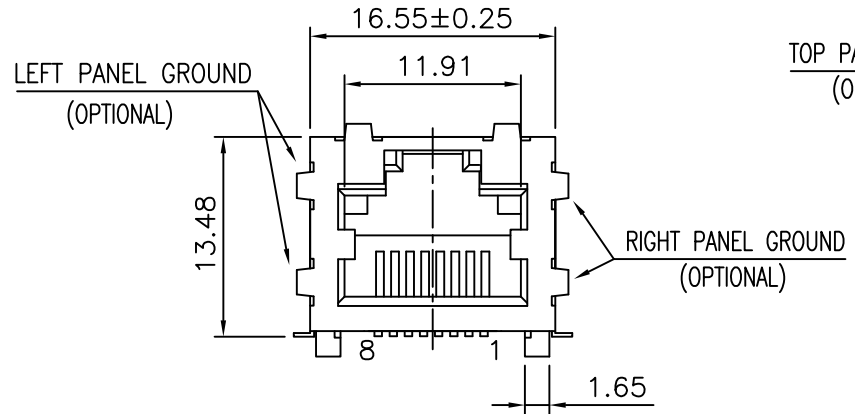
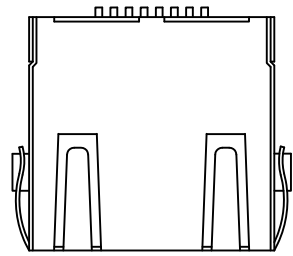
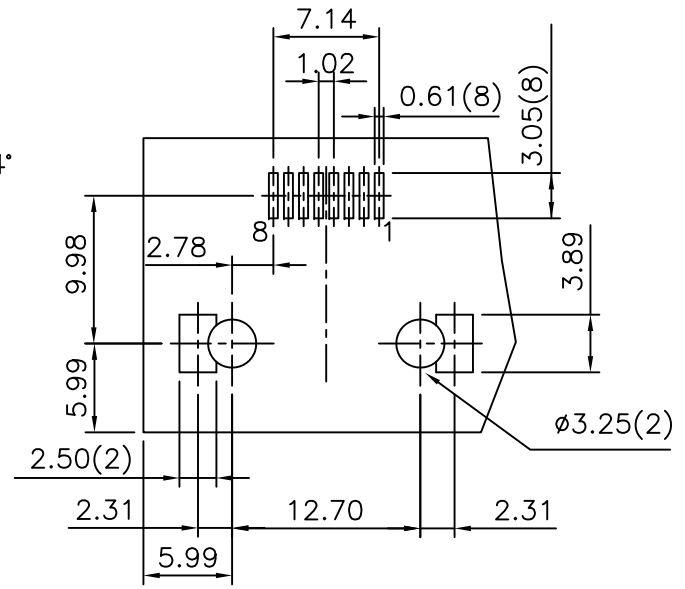


# RoHS Compliance



## MATERIAL:

- HOUSING—PA9T GN2330  
HEAT RESISTANT PLOYAMIDE RESIN  
BLACK COLOR, UL94V-0
  - INSERT HOUSING—DSM STANYL TE250F6 (NYLON-46)  
HEAT DEFLECTION TEMP.290°  
BLACK COLOR, UL94V-0.
  - CONTACTS—0.35mm THICK PHOS-BRONZE PLATED  
WITH HARD GOLD AND GOLD FLASH IN  
SOLDER AREA.
  - SHIELD—0.25mm THICK COPPER ALLOY,  
PLATED WITH NICKEL.
- CAVITY CONFIRMS TO FCC RULES AND REGULATIONS  
PART 68,SUBPART F.



## PCB LAYOUT

Ref.

DO NOT SCALE DRAWING	TOLERANCES UNLESS OTHERWISE NOTED	INCH	MM	DR. <i>CIAN.CI.LUO</i>	DATE DEC-29 '08	SINGATRON U.S.A.		
THIRD ANGLE PROJECTION	LINEAR $\frac{MM}{INCH}$	$00 \pm$ $000 \pm$ $0000 \pm$	$0.0 \pm 0.25$ $0.00 \pm 0.20$ $0.000 \pm 0.10$	CK'D <i>M.CHANG</i>	DEC-29 '08	TITLE MODULAR JACK, RJ45, WITHOUT LED'S SHIELDED, SMT TYPE, SIDE ENTRY		
$\frac{MM}{INCH}$	ANGLE $\pm 0^\circ 30'$	RADII	$\pm 0.40$ $- 0.15$	APP'D <i>W.J.YANG</i>	DEC-29 '08	P/N 3756-881X-S3	REV. 5	SHEET 1

# 1X1 SERIES PART NO. INSTRUCTIONS

3756-8813-S3

SERIES NUMBER

NO. OF POSITION

NO. OF CONTACTS

## COLOR OF HOUSING

- 0- GRAY
- 1- BLACK
- X- OTHERSPECIAL

## GOLD PLATING OPTION

- |             |                |
|-------------|----------------|
| 1- 6 $\mu$  | 5- F $\mu$     |
| 2- 15 $\mu$ | 6- PD          |
| 3- 30 $\mu$ | 7- 10 $\mu$    |
| 4- 50 $\mu$ | 8- GXT30 $\mu$ |

## THE STYLES OF SHIELD

- S0- NON-PANEL GROUND
- S1- TOP SIDE WITH PANEL GROUND
- S2- LEFT & RIGHT 2 SIDES WITH PANEL GROUND
- S3- TOP & LEFT & RIGHT 3 SIDES WITH PANEL GROUND