

1X1 SERIES PART NO. INSTRUCTIONS

3756-8813-S3L1

SERIES NUMBER

NO. OF POSITION

NO. OF CONTACTS

COLOR OF HOUSING

0- GRAY
1- BLACK
X- OTHERSPECIAL

GOLD PLATING OPTION

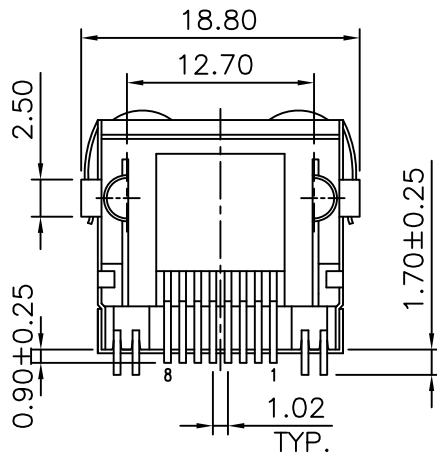
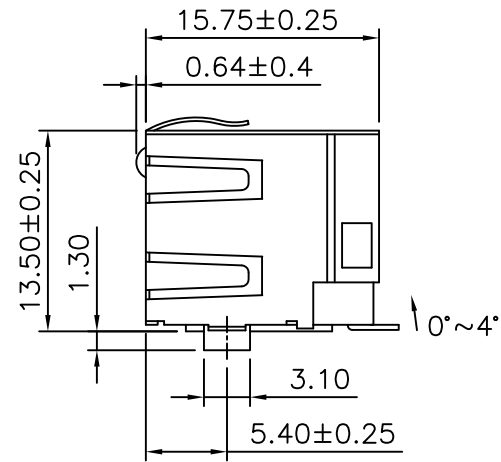
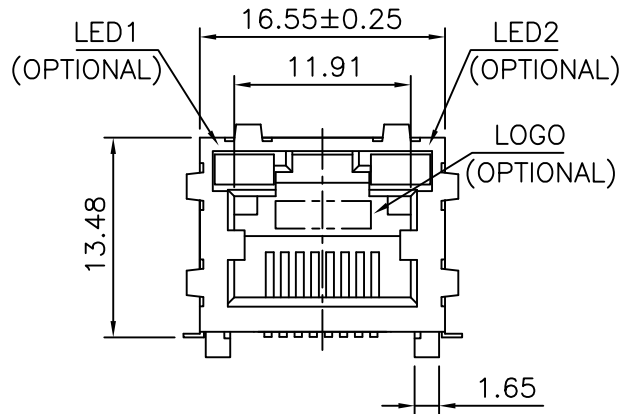
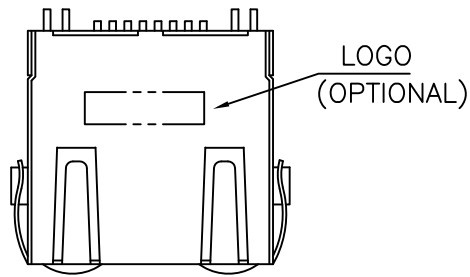
1- 6 μ	5- F μ
2- 15 μ	6- PD
3- 30 μ	7- 10 μ
4- 50 μ	8- GXT30 μ

THE STYLES OF SHIELD

S0- NON-PANEL GROUND
S1- TOP SIDE WITH PANEL GROUND
S2- LEFT & RIGHT 2 SIDES WITH PANEL GROUND
S3- TOP & LEFT & RIGHT 3 SIDES WITH PANEL GROUND

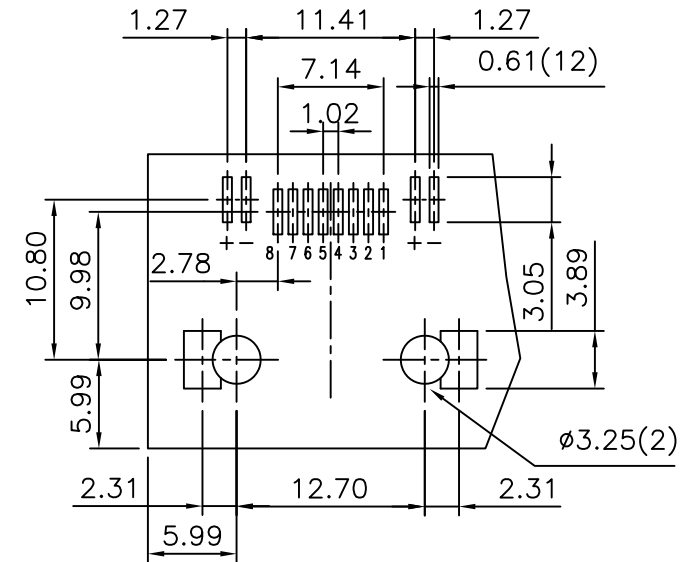
THE STYLES OF LED LIGHT

L1- LED1: GREEN ; LED2: YELLOW
L2- LED1: YELLOW ; LED2: GREEN
L3- LED1: GREEN ; LED2: GREEN
L4- LED1: NO LED ; LED2: GREEN
L5- LED1: GREEN ; LED2: RED/GREEN
L6- LED1: GREEN/ORANGE ;
LED2: YELLOW
L7- LED1: ORANGE/GREEN ;
LED2: ORANGE/GREEN
L8- LED1: GREEN/RED ;
LED2: YELLOW
L9- LED1: GREEN/ORANGE ;
LED2: GREEN/ORANGE
LA- LED1: GREEN ; LED2: NO LED



MATERIAL:

- HOUSING—DSM STANYL TE250F6 (NYLON-46)
HEAT DEFLECTION TEMP.290°
BLACK COLOR, UL94V-0
 - CONTACTS—0.35mm THICK PHOS-BRONZE PLATED
WITH HARD GOLD AND GOLD FLASH IN
SOLDER AREA.
 - SHIELD—0.25mm THICK COPPER ALLOY,
PLATED WITH NICKEL.
- CAVITY CONFIRMS TO FCC RULES AND REGULATIONS
PART 68,SUBPART F.



PCB LAYOUT

Ref.

RoHS compliant

DO NOT SCALE DRAWING	TOLERANCES UNLESS OTHERWISE NOTED	INCH	MM	DR. <i>M.L.HUANG</i>	DATE OCT-25-07'	SINGATRON U.S.A.			
THIRD ANGLE PROJECTION	LINEAR MM INCH	00 ± 000 ± 0000 ±	0.0 ± 0.25 0.00 ± 0.20 0.000 ± 0.10	CK'D <i>M.CHANG</i>	OCT-25-07'	TITLE	MODULAR JACK, RJ45, WITH LED'S SHIELDED, SMT TYPE, SIDE ENTRY		
MM INCH	ANGLE ± 0° 30'	RADII	+ 0.40 - 0.15	APP'D <i>W.J.YANG</i>	OCT-25-07'	P/N:	3756-881X-S3LX	REV. 3	SHEET 1