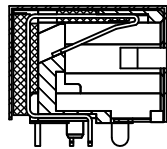
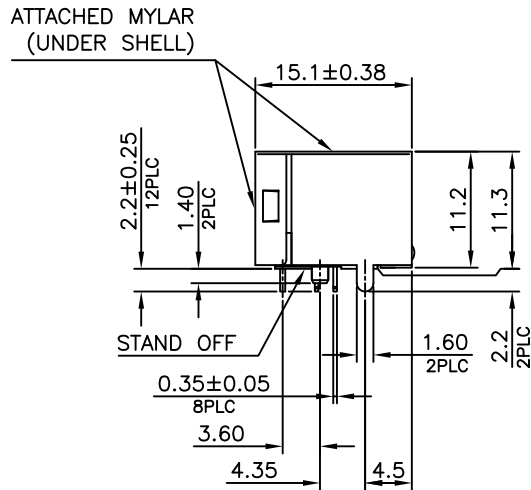
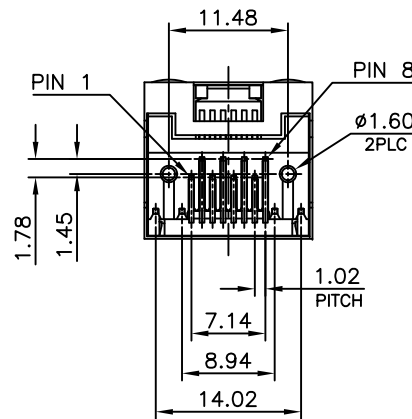
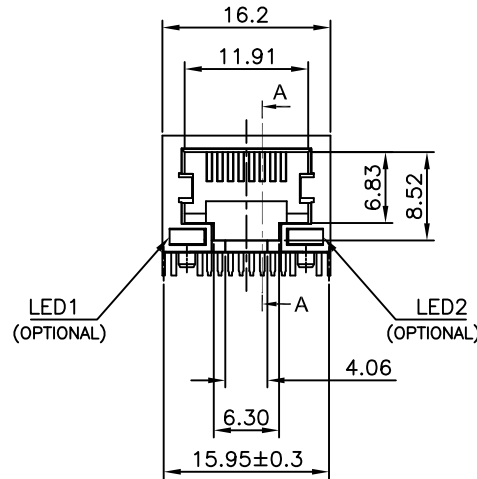
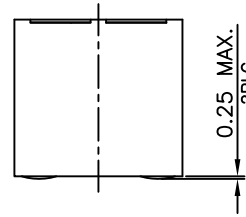


RoHS Compliance



SECTION A-A

LED CHARACTERISTIC	
NO.	NODE
LED1	9+ -10
LED2	11+ -12



NOTE:

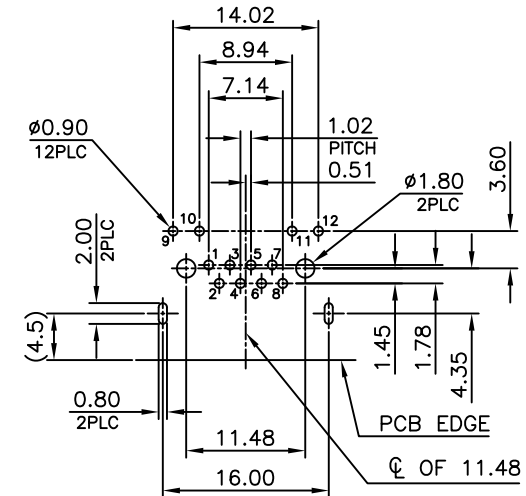
CAVITY CONFORMS TO FCC RULES AND REGULATIONS PART 68, SUBPART F.

1. MATERIAL:

- 1.1 HOUSING: PA46, WITH GLASS FIBER, UL94V-0, STANDARD COLOR-BLACK.
- 1.2 INSERT HOUSING: PA46, WITH GLASS FIBER, UL94V-0, STANDARD COLOR-BLACK.
- 1.3 CONTACTS: PHOSPHOR BRONZE.
- 1.4 SHELL: BRASS.
- 1.5 LED SOLDER TAIL: STEEL.

2. FINISH:

- 2.1 CONTACTS: GOLD PLATED ON CONTACT AREA, GOLD FLASH ON SOLDER TAIL, 1.27µm [50µ"] MIN. NICKEL UNDERPLATED OVERALL.
- 2.2 SHELL: 0.508µm [20µ"] MIN. NICKEL PLATED.
- 2.3 LED SOLDER TAIL: 2.032µm [80µ"] MIN. TIN PLATED.

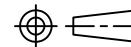


RECOMMENDED PCB LAYOUT
PCB THICKNESS: 1.6mm
TOLERANCE: ±0.05mm (TOP VIEW)

THIS DRAWING IS A CONTROLLED DOCUMENT.
DO NOT SCALE DRAWING.

DIMENSIONS:
MM

TOLERANCES UNLESS
OTHERWISE SPECIFIED:



THIRD ANGLE PROJECTION

X	± -
X.X	± 0.25
X.XX	± 0.13
X.XXX	± 0.05
ANGLES	± -

MATERIAL

FINISH

SEE NOTES

SEE NOTES

DWN
A.LI

DATE
AUG-17-2016

CHK
A.HUANG

AUG-17-2016

APVD
M.CHANG

AUG-18-2016

SINGATRON U.S.A.

TITLE
RJ45, REVERSE, FLAT PIN,
WITH LED& SHELL, SIDE ENTRY PCB JACK

REVISIONS	DESCRIPTION	DATE	APVD
△	-	-	-
LTR	DESCRIPTION	DATE	APVD

SIZE A3	CAUSE CODE -	P/N 3758-881X-SOLX
WEIGHT -	GRAMS Ref.	REV 1 SHEET 1

1X1 SERIES PART NO. INSTRUCTIONS

3758-8813-S0L1

SERIES NUMBER

NO. OF POSITION

NO. OF CONTACTS

COLOR OF HOUSING

- 0- GRAY
- 1- BLACK
- X- OTHERSPECIAL

GOLD PLATING OPTION

- | | |
|-------------|----------------|
| 1- 6 μ | 5- F μ |
| 2- 15 μ | 6- PD |
| 3- 30 μ | 7- 10 μ |
| 4- 50 μ | 8- GXT30 μ |

THE STYLES OF SHIELD

- S0- NON-PANEL GROUND
- S1- TOP SIDE WITH PANEL GROUND
- S2- LEFT & RIGHT 2 SIDES WITH PANEL GROUND
- S3- TOP & LEFT & RIGHT 3 SIDES WITH PANEL GROUND

THE STYLES OF LED LIGHT

- L1- LED1: GREEN ; LED2: YELLOW
- L2- LED1: YELLOW ; LED2: GREEN
- L3- LED1: GREEN ; LED2: GREEN
- L4- LED1: NO LED ; LED2: GREEN
- L5- LED1: GREEN ; LED2: RED/GREEN
- L6- LED1: GREEN/ORANGE ; LED2: YELLOW
- L7- LED1: ORANGE/GREEN ; LED2: ORANGE/GREEN
- L8- LED1: GREEN/RED ; LED2: YELLOW
- L9- LED1: GREEN/ORANGE ; LED2: GREEN/ORANGE
- LA- LED1: GREEN ; LED2: NO LED