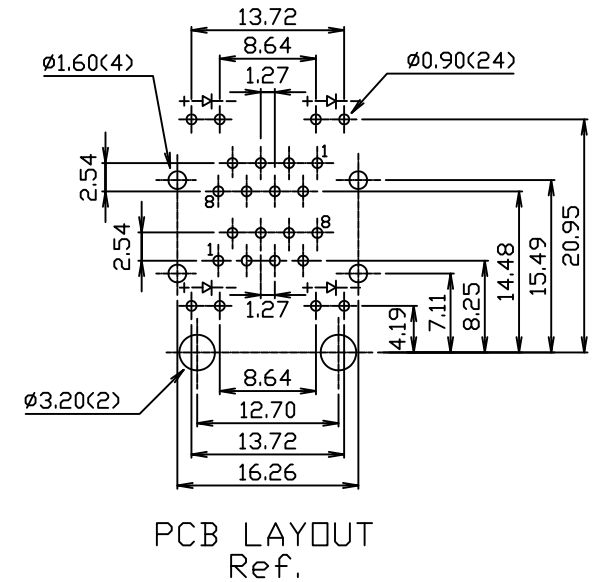
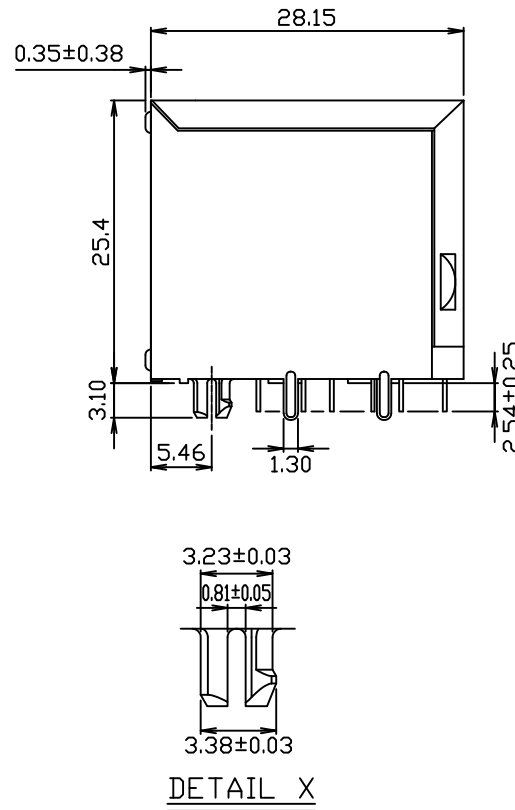
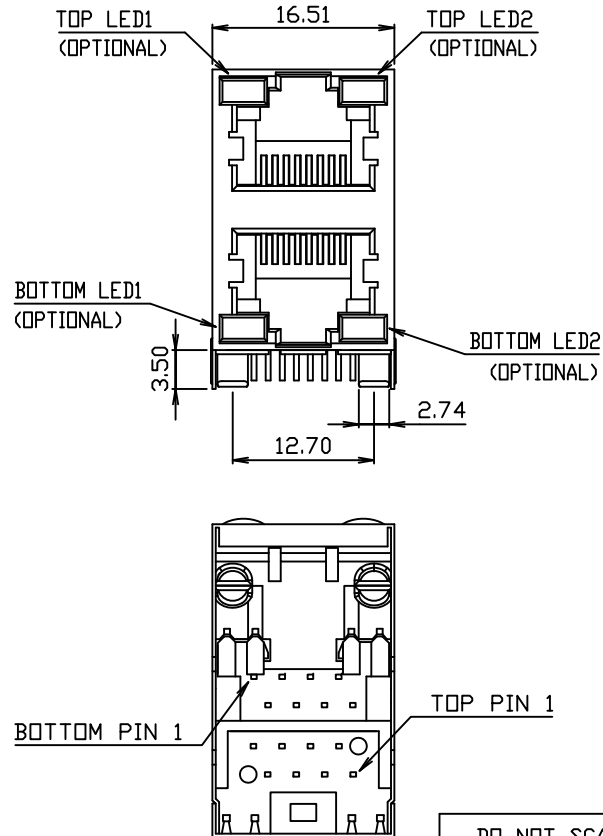


- MATERIALS:
- BOTTOM HOUSING-DSM STANYL TE250F6 (NYLON-46)
HEAT DEFLECTION TEMP.290°
BLACK COLOR, UL94V-0
 - TOP HOUSING-PBT POLYESTER UL94V-0
MIXED GLASS FIBER, BLACK COLOR.
 - CONTACTS-0.35mm THICK PHOS-BRONZE PLATED
WITH HARD GOLD AND GOLD FLASH IN
SOLDER AREA.
 - SHIELD-0.25mm THICK COPPER ALLOY,
PLATED WITH NICKEL.
- CAVITY CONFIRMS TO FCC RULES AND REGULATIONS
PART 68,SUBPART F.



DO NOT SCALE DRAWING	TOLERANCES UNLESS OTHERWISE NOTED	INCH	MM	DR. <i>H.W.CHAN</i>	DATE OCT-31 '07	SINGATRON U.S.A.	
THIRD ANGLE PROJECTION	LINEAR $\frac{\text{MM}}{\text{INCH}}$	$00 \pm .01$ $000 \pm .005$ $0000 \pm .002$	0.0 ± 0.25 0.00 ± 0.13 0.000 ± 0.05	CK'D <i>M.CHANG</i>	OCT-31 '07	TITLE	2X1 STACKABLE MODULAR JACK RJ45, WITH LED'S AND SHIELD
MM INCH	ANGLE $\pm 0^\circ 30'$	RADII	± 0.40 $- 0.15$	APP'D <i>W.J.YANG</i>	NOV-01 '07	P/N:	3766-881X-S0LX
						REV.	SHEET
						7	1

1X1 SERIES PART NO. INSTRUCTIONS

3766-8813-S0L1

SERIES NUMBER

NO. OF POSITION

NO. OF CONTACTS

COLOR OF HOUSING

- 0- GRAY
- 1- BLACK
- X- OTHERSPECIAL

GOLD PLATING OPTION

- | | |
|-------------|----------------|
| 1- 6 μ | 5- F μ |
| 2- 15 μ | 6- PD |
| 3- 30 μ | 7- 10 μ |
| 4- 50 μ | 8- GXT30 μ |

THE STYLES OF SHIELD

- S0- NON-PANEL GROUND
- S1- TOP SIDE WITH PANEL GROUND
- S2- LEFT & RIGHT 2 SIDES WITH PANEL GROUND
- S3- TOP & LEFT & RIGHT 3 SIDES WITH PANEL GROUND

THE STYLES OF LED LIGHT

- L1- LED1: GREEN ; LED2: YELLOW
- L2- LED1: YELLOW ; LED2: GREEN
- L3- LED1: GREEN ; LED2: GREEN
- L4- LED1: NO LED ; LED2: GREEN
- L5- LED1: GREEN ; LED2: RED/GREEN
- L6- LED1: GREEN/ORANGE ; LED2: YELLOW
- L7- LED1: ORANGE/GREEN ; LED2: ORANGE/GREEN
- L8- LED1: GREEN/RED ; LED2: YELLOW
- L9- LED1: GREEN/ORANGE ; LED2: GREEN/ORANGE
- LA- LED1: GREEN ; LED2: NO LED