

# 2.54mm(0.1") I.D.C. Female Socket

For 0.05" (1.27mm) Center Flat Ribbon Cable  
(Dual Wipe Forked Contact)

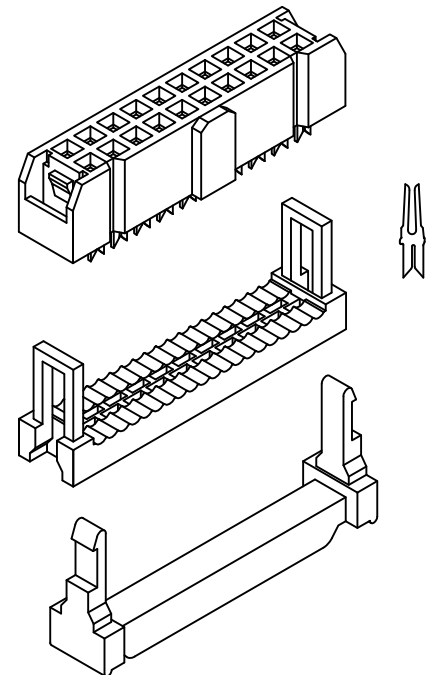
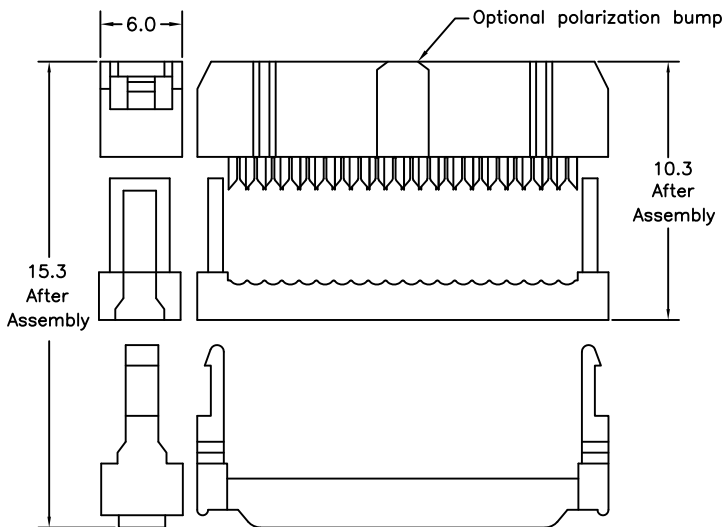
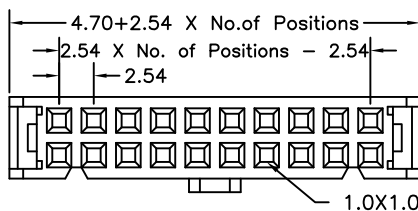
6101 Series

## APPLICATION AND FEATURES

1. Designed to mate with 0.64mm square dual row shrouded and unshrouded headers.
2. Accepts 26 or 28 AWG flat ribbon cable.
3. Optional polarization.
4. Optional strain relief.
5. Mate with pin headers such as 2202, 2205, 2100, 2204D, 2301 & 2302 series.
6. RoHS compliant.

## SPECIFICATIONS

Current Rating:	1 Amps
Withstanding Voltage:	AC 500V for 1 Minute.
Insulator Resistance:	1000M $\Omega$ min at DC 500V
Contact Resistance:	30 m ohm Max.
Operating Temperature:	-40°C to +105°C
Contact Material:	Copper Alloy
Insulator Material:	PBT+30%GF (UL94V-0)



Tolerance:  $\pm 0.30\text{mm}$

## Order Information 6101 Series

Example: 6101-34-B-02-0

Series No.	Number of Contacts	Pin Type	Contact Plating	W or W/O S.R.
6101	06,08,10,12,14,16,20, 24,26,30,34,40,50	Pin Material:	Tin Plated 01	Without Strain Relief 0
6101 With Polarization Key		Brass B	Selective Gold Plated 02	With Strain Relief 1
6101N Without Polarization Key		Phosphor-Bronze P	10 $\mu$ " 10	
			30 $\mu$ " 30	