

2.54mm (0.1") I.D.C. DIP Connector

Grid 2.54mm x 7.62mm (0.1" x 0.3")

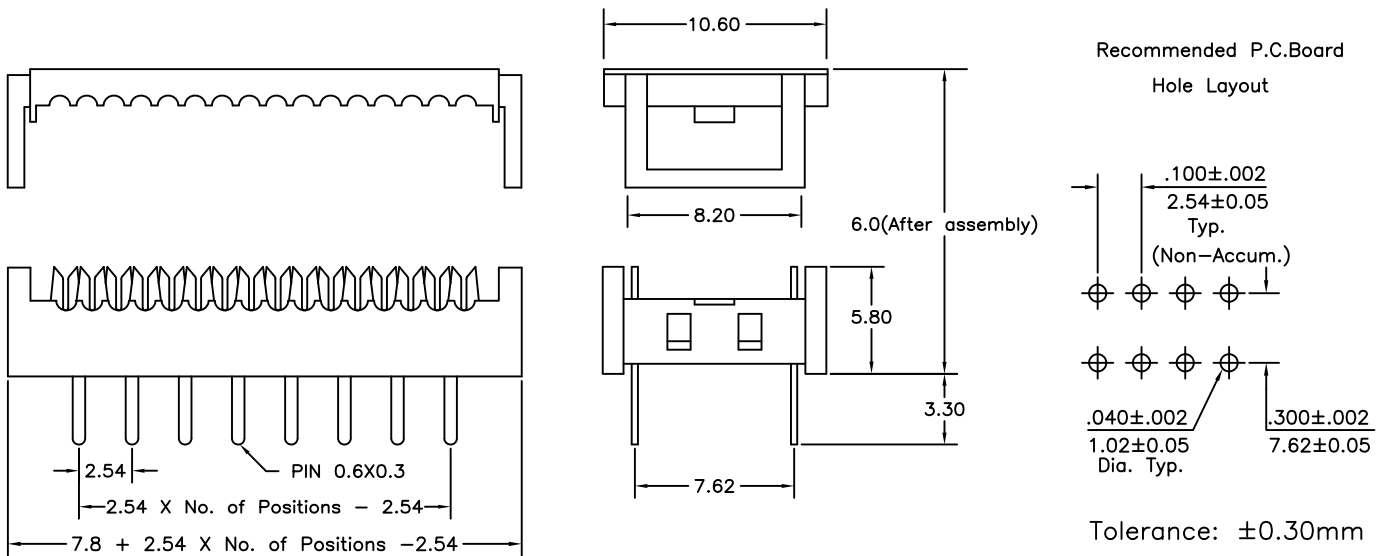
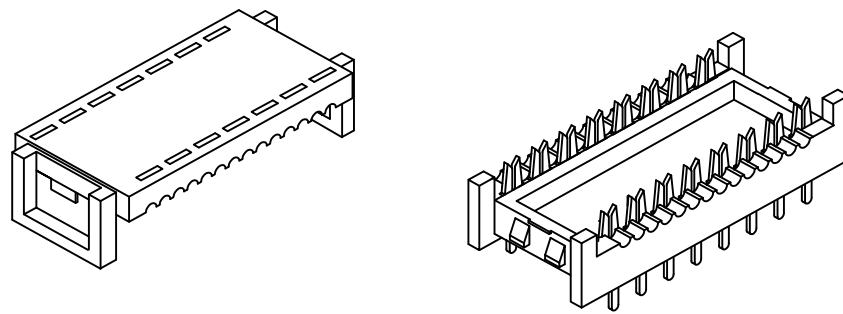
6603 Series

APPLICATION AND FEATURES

1. A low cost solution to attach a ribbon cable to a P.C.Board.
2. Can be soldered to P.C.Board. Replaces as socket/header combination, or plugged directly into I.C. socket.
3. Low profile for saving space(6mm After assembly).
4. Is permanently soldered into P.C.Board with "header" foot.
5. RoHS compliant.

SPECIFICATIONS

Current Rating: 1 Amps
 Withstanding Voltage: AC 500V for 1 Minute.
 Insulator Resistance: 1000MΩ min at DC 500V
 Contact Resistance: 15 m ohm Max.
 Operating Temperature: -40°C to +105°C
 Contact Material: Copper Alloy
 Insulator Material: PBT+30%GF (UL94V-0)



Order Information 6603 Series

Example: 6603-20-02

Series No.	Number of Contacts	Contact Plating
6603	08,10,14,16,18,20,24,28,40	Tin Plated 01
		Selective Gold Flash 02