

# 2.54mm (0.1") I.D.C. DIP Connector

Grid 2.54mm × 15.24mm (0.1" × 0.6")

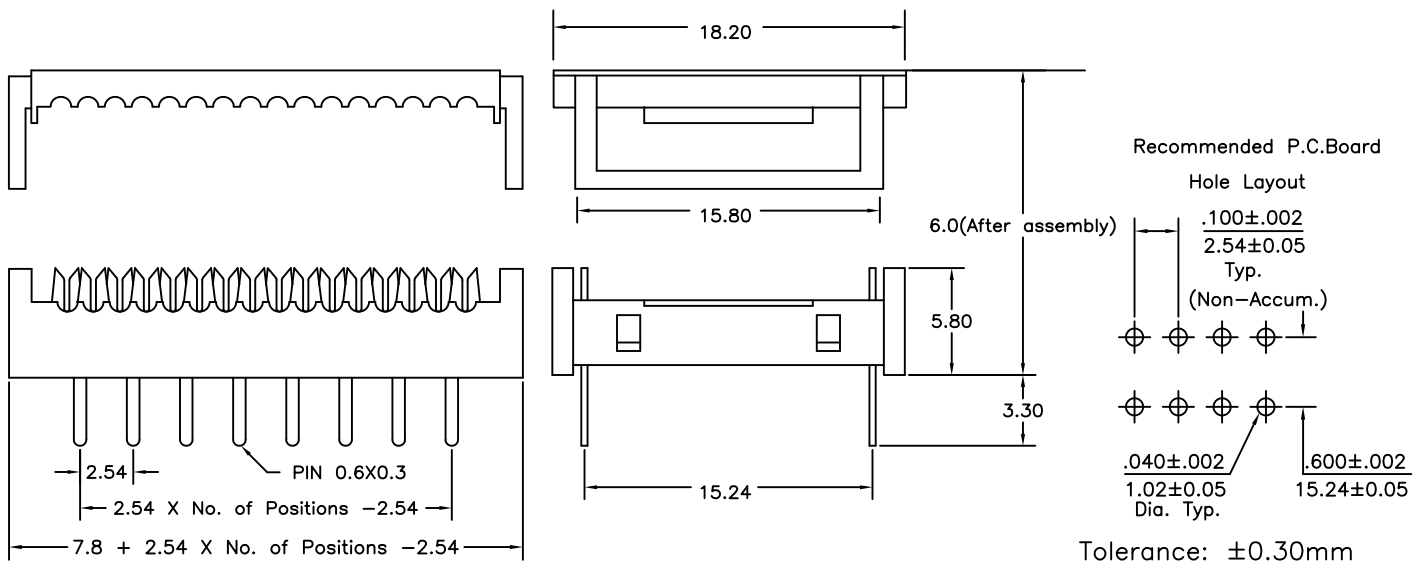
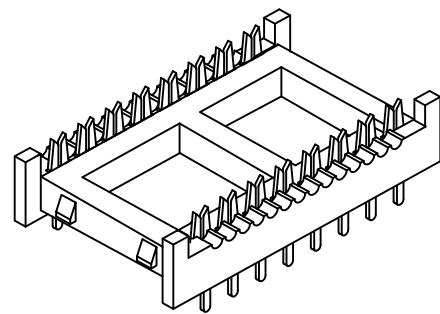
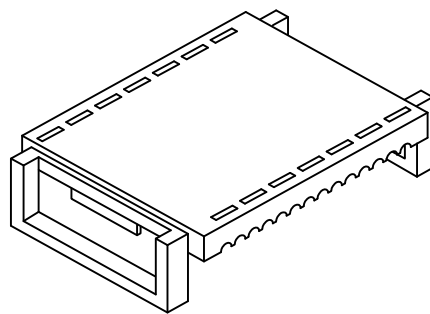
6606 Series

## APPLICATION AND FEATURES

1. A low cost solution to attach a ribbon cable to a P.C.Board.
2. Can be soldered to P.C.Board. Replaces as socket/header combination, or plugged directly into I.C. socket.
3. Low profile for saving space(6mm After assembly).
4. Is permanently soldered into P.C.Board with "header" foot.
5. RoHS compliant.

## SPECIFICATIONS

Current Rating: 1 Amps  
 Withstanding Voltage: AC 500V for 1 Minute.  
 Insulator Resistance: 1000MΩ min at DC 500V  
 Contact Resistance: 15 m ohm Max.  
 Operating Temperature: -40°C to +105°C  
 Contact Material: Copper Alloy  
 Insulator Material: PBT+30%GF (UL94V-0)



## Order Information 6606 Series

Example: 6606 - 32 - 02

