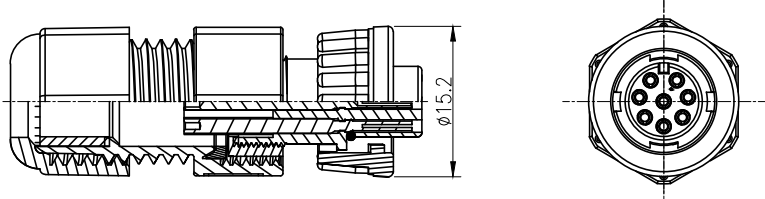
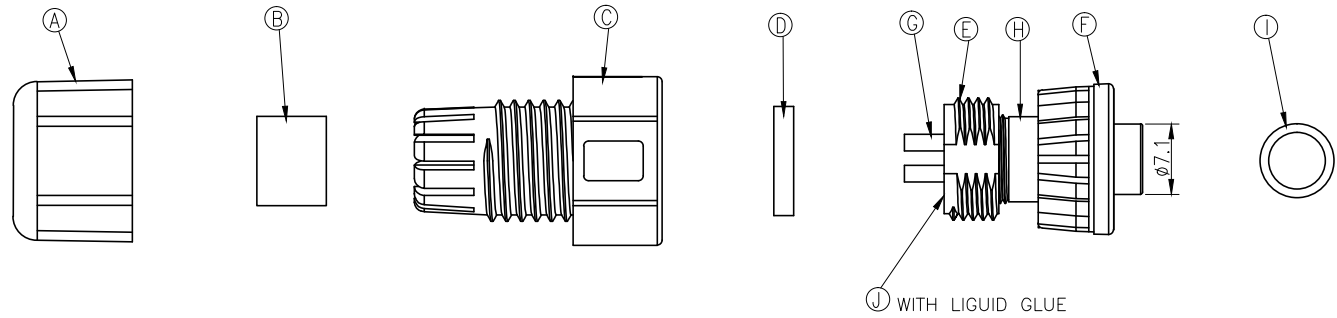


REV.	ECN NO OR DESCRIPTION	REVISED	DATE
A	PDR NO:T210915-2C	Rex	2022.01.22



NO	DESCRIPTION	QTY	MATERIAL	PLATING & COLOR
J	LIQUID GLUE	1	N/A	BLACK
I	O-RING	1	EPDM	RED
H	BODY	1	NYLON	BLACK
G	FEMALE PIN	8	Phosphor Bronze	6u" GOLD PLATING OVER NICKEL PLATING
F	LOCK NUT	1	NYLON	BLACK
E	SCREW NUT	1	NYLON	BLACK
D	GASKET	1	SILICONE	BLACK
C	CLAMP RING	1	PC	BLACK
B	SEAL	1	EPDM	BLACK
A	SEALING NUT	1	PC	BLACK

UNLESS OTHERWISE SPECIFIED TOLERANCES		Singatron Enterprise Co., Ltd. 信音企業股份有限公司	
DECIMALS:	ANGLES:	TITLE CIRCULAR MINI SIZE (IP67) FEMALE CONN. FEMALE 8PIN(2A) ASSEMBLY TYPE	
X :±0.5	X :±2°	DWN	Rex PART NO.A01C1002-H01
X.X :±0.3	X.X :±1°	CHKD	SCALE 2:1 UNIT: mm
X.XX :±0.2		APVD	TC SIZE: A3 SHEET:1 OF 1 REV: A
<b>CUSTOMER COPY</b>			

- NOTES:
1. WATERPROOF RATE: IP67  
IP67: IMMERSED IN 1M WATER FOR 30 MINUTES
  2. SEAL FOR CABLE OD:φ4.0mm~φ6.5mm
  3. SPECIFICATIONS:SEE "CIRCULAR SERIES SPECIFICATIONS".
  4. TO CONFORM TO SINGATRON HAZARDOUS SUBSTANCE FREE SPEC.
  5. GREEN PRODUCT IDENTIFICATION LABEL ON PACKAGING:

