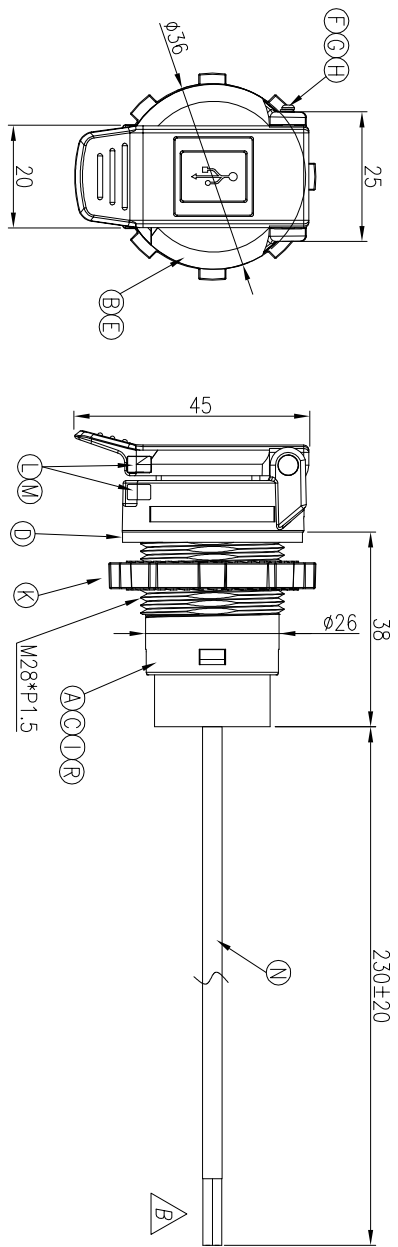
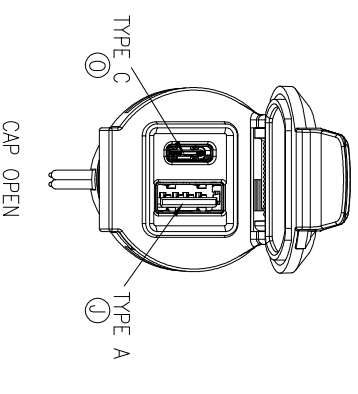



REV.	ECN NO. OR DESCRIPTION	REVISED	DATE
A	PDR NO:1200622-4A	JEFF	2022.05.31
B	ECN:1202305-R01	JEFF	2023.05.18



Front View
 PANEL CUT-OUT
 THICKNESS: 2.5~4.5 mm



- SPECIFICATIONS:**
- 1. ELECTRICAL CHARACTERISTICS:**
- 1-1. INPUT VOLTAGE RANGE: 9~16 VDC (SET VALUE 18W)
 - 1-2. OUTPUT VOLTAGE/CURRENT: 5V/3A OR 9V/2A OR 12/1.5A
 - 1-3. ELECTRICAL REQUIREMENTS MEETS QC3.0(TYPE A) HVDCP CLASS A COMPATIBLE WITH USB PD3.0(C4+) (TYPE C).
 - 1-4. MEET OVERLOAD ELECTRICAL PROTECTION LOOP REQUIREMENTS
 - 1-5. OPERATING TEMPERATURE: -30°C~+60°C
- 2. LIFE TEST: 5,000 CYCLES.**
- 3. MEET IPX5 WATERPROOF CONDITIONS.**
- 4. MEET REACH REQUIREMENTS**
- 5. MEET GP PASS REQUIREMENTS**
- 6. NORMALLY CLOSED SPRING CAP**

0	USB TYPE C	1	N/A	
	PVC HOSE	1	ID Ø4.0 105°C 300V	BLACK
N	WIRE	1	AWSS 0.85f 0D:1.85	GREEN(-)
	WIRE	1	AWSS 0.85f 0D:1.85	BLACK(+)
M	STOPPER	2	PVC	BLACK
L	MAGNET	2	NDFeB	NICKEL
K	BODY NUT	1	PC	BLACK
J	USB TYPE A	1	N/A	
I	PCBA	1	FR-4	N/A
H	AXIS	1	SUS	NATURAL
G	SPRING	1	SUS	NATURAL
F	E-RING	1	SUS	NATURAL
E	CAP GASKET	1	SILICONE	RED
D	GASKET	1	SILICONE	RED
C	END CAP	1	PC	BLACK
B	CAP	1	PC	BLACK
A	BODY	1	PC	BLACK
NO	DESCRIPTION	QTY	MATERIAL	PLATING & COLOR
UNLESS OTHERWISE SPECIFIED TOLERANCES				
 Singtron Enterprise Co., Ltd. 信晉企業股份有限公司				
TITLE		WATERPROOF USB CAR CHARGER 12V (PD CLOSED)		
DWN	JEFF	PART NO.:	A01U8002-H02	
CHKD	---	SCALE	1:1	UNIT: mm
APVD	ANGELA	SIZE:	A3	SHEET: 1 OF 1
CUSTOMER COPY				

1 2 3 4 5 6 7 8

X#機修-02-8013-A