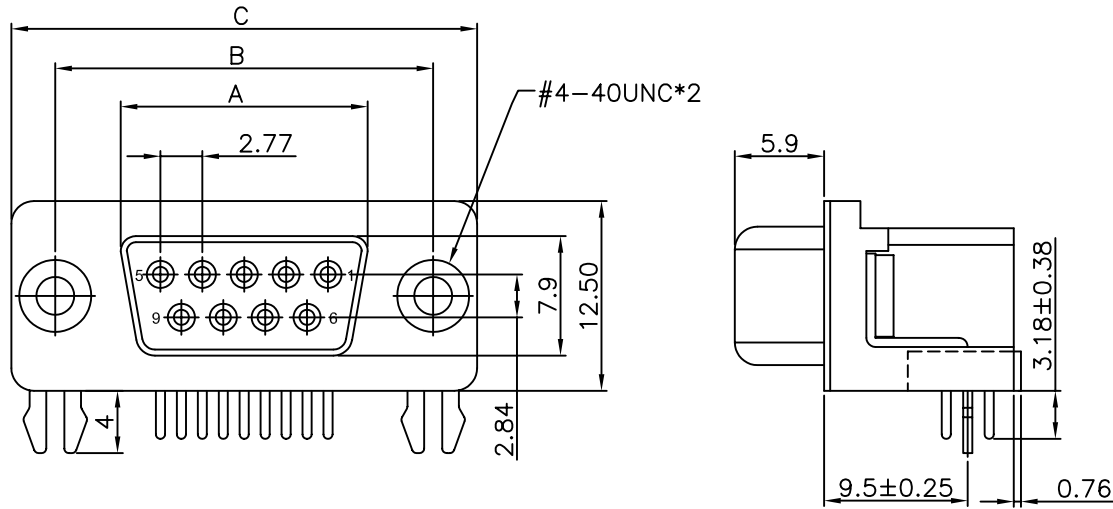


REV.	ECN.	DATE	DWN	APVD



MATERIAL:

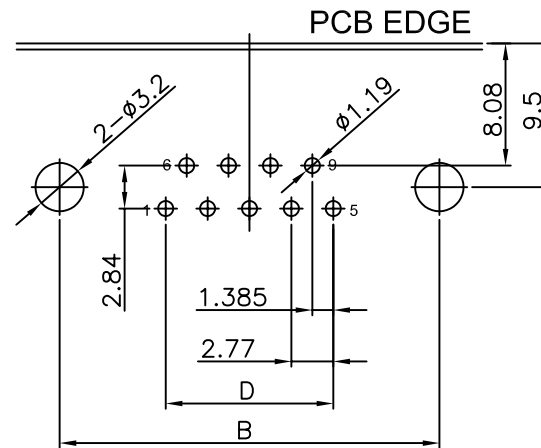
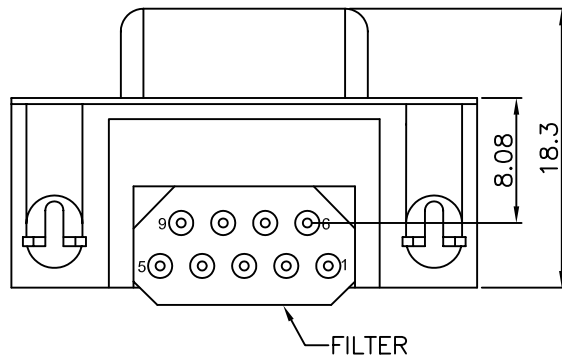
INSULATOR : PBT+30% GLASS FIBER (UL 94V-0).
 CONTACT : COPPER ALLOY
 CONTACT FINISH : GOLD OVER NICKEL
 SHELL : STEEL ,NICKEL PLATED
 BOARDLOCK : BRASS,TIN PLATED
 RIVETED INSERT : BRASS,NICKEL PLATED

SPECIFICATION:

CURRENT RATING : 5 AMP
 DIELECTRIC WITHSTANDING VOLTAGE : 1000V AC FOR 1 MINUTE.
 INSULATION RESISTANCE : 1000MΩ MIN. AT 500V DC.
 CONTACT RESISTANCE : 15mΩ MAX.
 OPERATING TEMPERATURE : -55°C ~ +105°C.

Order Information :

DRF - E 9 S B - N - 0 0 1
 1 2 3 4 5 6 7



1. SERIES NUMBER	DRF : D-SUB RIGHT ANGLE WITH FILTER 8.08mm MOUNT
2. POSITION	E : 9 A : 15 B : 25 C : 37
3. POLARITY	SB : FEMALE
4. MATING AND MOUNTING OPTIONS	NJ:4-40 THREADED RIVETED W/BOARDLOCK NJ:BOARDLOCK AND JACK SCREWS ASSEMBLED SEE MOUNTING OPTION SHEET FOR OTHERS MOUNTING
5. PLATING	1 : SELECTIVE GOLD 4 : SELECTIVE 15u" GOLD 6 : SELECTIVE 30u" GOLD 0 : FULL GOLD © Standard : 0
6. INSULATOR COLOR	0 : BLACK
7. SHELL PLATING	1 : NICKEL

POSITION	A ± 0.20	B ± 0.20	C ± 0.38	D
9 Pin	16.30	25.00	30.80	11.08
15 Pin	24.60	33.30	39.20	19.39
25 Pin	38.35	47.05	53.05	33.24
37 Pin	54.80	63.50	69.40	49.86

RoHS COMPLIANT

SINGATRON U. S. A.					GENERAL TOLERANCE X.X ± 0.25 X.XX ± 0.15 X.XXX ± 0.05 ANGLE TOLERANCE ± 1° RADIUS ± 0.25 HOLE ± 0.13		DRAWN. Peter		DATE 04-11-2005		DRAWING NO. DBF93-XX0XXX00-R W00001	
					CHECKED. AMY		DATE 04-12-2005		TITLE. D-SUB CONN RIGHT ANGLE, WITH FILTER FEMALE SHEET FOOTPRINT : 8.08mm			
SIZE A4	UNIT mm	SCALE 2 / 1	SHEET 1 OF 1	APPROVED. HENRY		DATE 04-14-2005		PART NO. DRF-XXSB-X-XX1		REV	A.0	