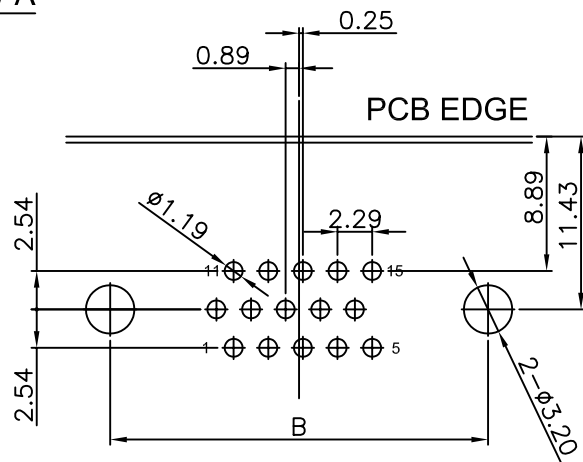
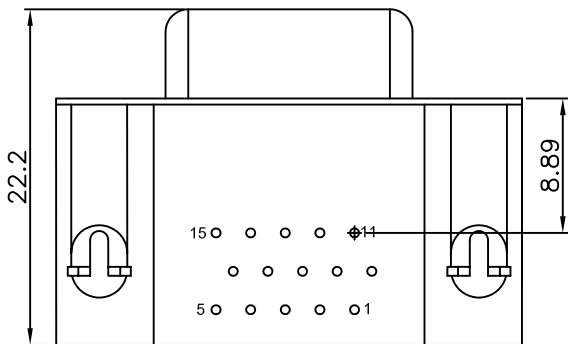
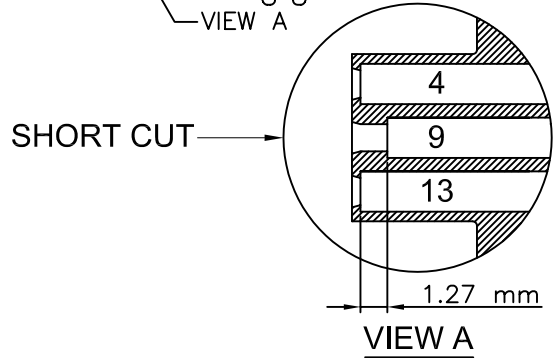
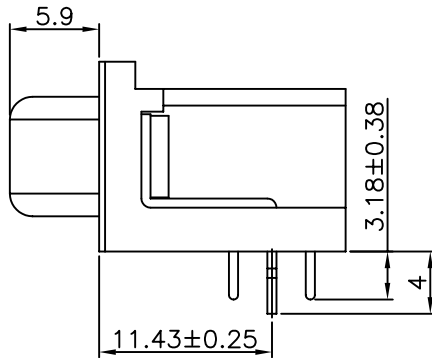
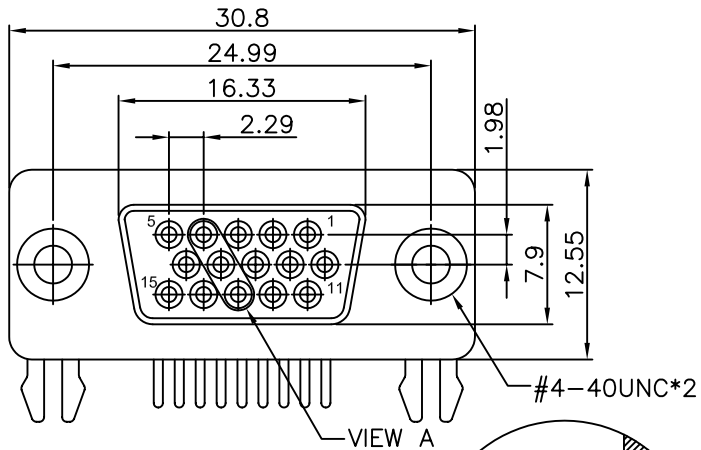


REV.	ECN.	DATE	DWN	APVD



**MATERIAL:**

- INSULATOR : PBT+30% GLASS FIBER (UL 94V-0) .
- CONTACT : COPPER ALLOY
- CONTACT FINISH : SELECTIVE GOLD FINISHED
- SHELL : STEEL ,NICKEL PLATED
- BOARDLOCK : BRASS,TIN PLATED
- RIVETED INSERT : BRASS,NICKEL PLATED

**SPECIFICATION:**

- CURRENT RATING : 2 AMP
- DIELECTRIC WITHSTANDING VOLTAGE : 1000V AC FOR 1 MINUTE.
- INSULATION RESISTANCE : 1000MΩ MIN. AT 500V DC.
- CONTACT RESISTANCE : 15mΩ MAX.
- OPERATING TEMPERATURE : -55°C ~ +105°C.

RoHS compliant

SINGATRON U. S. A.					GENERAL TOLERANCE		DRAWN. Peter		DATE 05-10-2005		DRAWING NO. DH92-158XXX00-R		W00001	
					X.X ± 0.25		X.XX ± 0.15		X.XXX ± 0.05		CHECKED. AMY		DATE 05-11-2005	
SIZE A4	UNIT mm	SCALE. 2 / 1	SHEET. 1 OF 1	[Symbol]	ANGLE TOLERANCE ± 1°		APPROVED. HENRY		DATE 05-12-2005		PART NO. DRH-E15SB-N-121-VGA		REV	A.0
					RADIUS ± 0.25									
					HOLE ± 0.13									