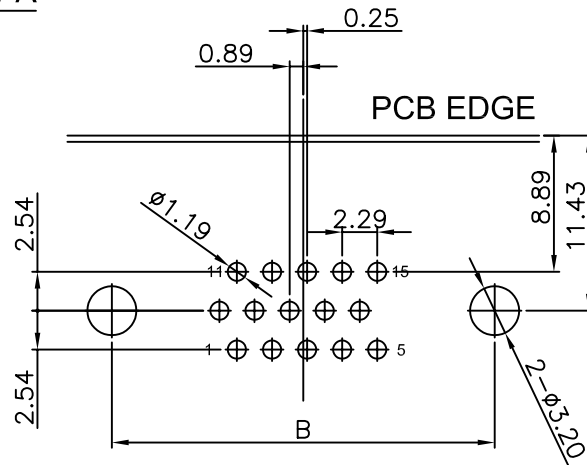
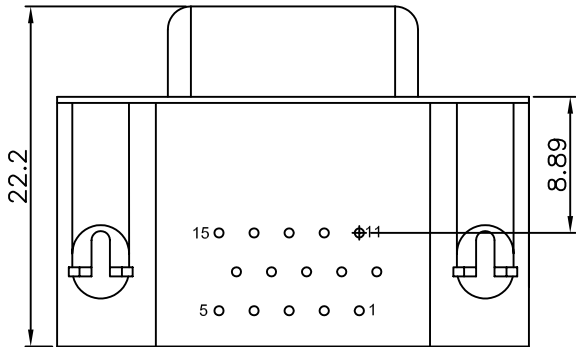
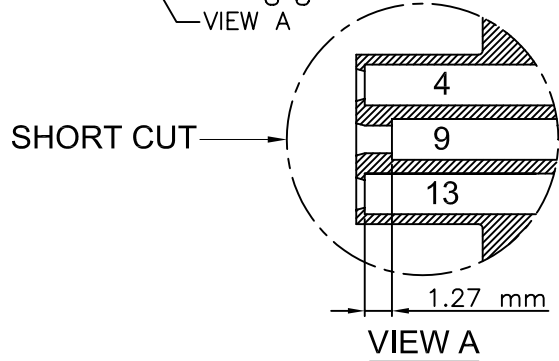
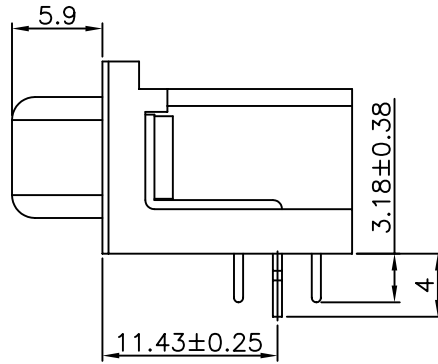
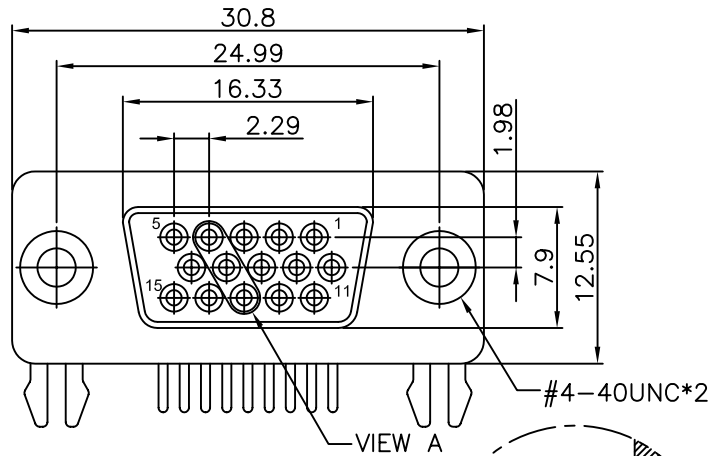


REV.	ECN.	DATE	DWN	APVD



MATERIAL:

INSULATOR : PBT+30% GLASS FIBER (UL 94V-0).
 CONTACT : COPPER ALLOY
 CONTACT FINISH : SELECTIVE GOLD
 SHELL : STEEL ,NICKEL PLATED
 BOARDLOCK : BRASS,TIN PLATED
 RIVETED INSERT : BRASS,NICKEL PLATED

SPECIFICATION:

CURRENT RATING : 2 AMP
 DIELECTRIC WITHSTANDING VOLTAGE : 1000V AC FOR 1 MINUTE.
 INSULATION RESISTANCE : 1000MΩ MIN. AT 500V DC.
 CONTACT RESISTANCE : 15mΩ MAX.
 OPERATING TEMPERATURE : -55°C ~ +105°C.

Order Information :

DRH - E 1 5 S B - N - 1 9 1 - VGA
 1 2 3 4 5 6 7

1. SERIES NUMBER	DRH : HIGH DENSITY D-SUB 90° 8.89mm MOUNT
2. POSITION	E : 15
3. POLARITY	SB : FEMALE
4. MATING AND MOUNTING OPTIONS	N : 4-40 THREADED RIVETED W/BOARDLOCK NJ : BOARDLOCK AND JACK SCREWS ASSEMBLED
5. PLATING	1 : SELECTIVE GOLD 4 : SELECTIVE 15u" GOLD 6 : SELECTIVE 30u" GOLD
6. INSULATOR COLOR	0 : BLACK 9 : 661C BLUE
7. SHELL PLATING	1 : NICKEL

RoHS compliant

SINGATRON U. S. A.

GENERAL TOLERANCE
 X.X ±0.25
 X.XX ±0.15
 X.XXX ±0.05
 ANGLE TOLERANCE ±1°
 RADIUS ±0.25
 HOLE ±0.13

DRAWN. Peter
 CHECKED. AMY
 APPROVED. HENRY

DATE 05-10-2005
 DATE 05-11-2005
 DATE 05-12-2005

DRAWING NO. DH92-158XXXX00-R W00001
 TITLE. HIGH DENSITY D-SUB CONNECTORS PCB RIGHT
 ANGEL FEMALE FOOTPRINT : 8.89mm No.9 SHORT CUT
 PART NO. DRH-E15SB-X-XX1-VGA REV A.0

SIZE A4 UNIT mm SCALE. 2 / 1 SHEET. 1 OF 1

