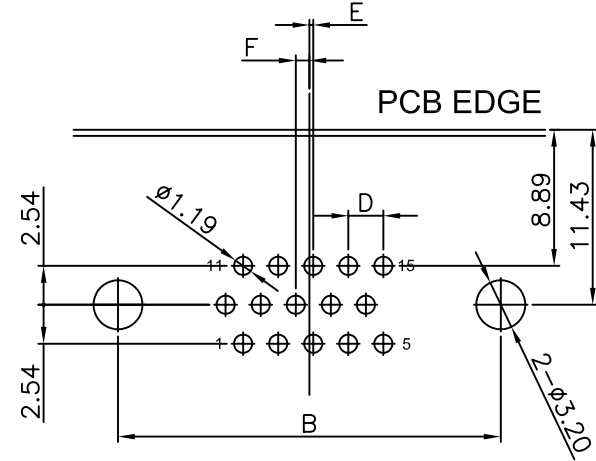
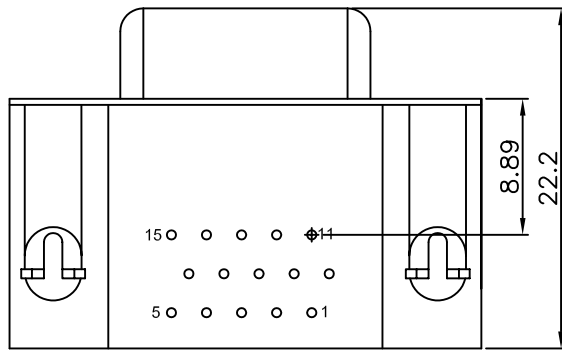
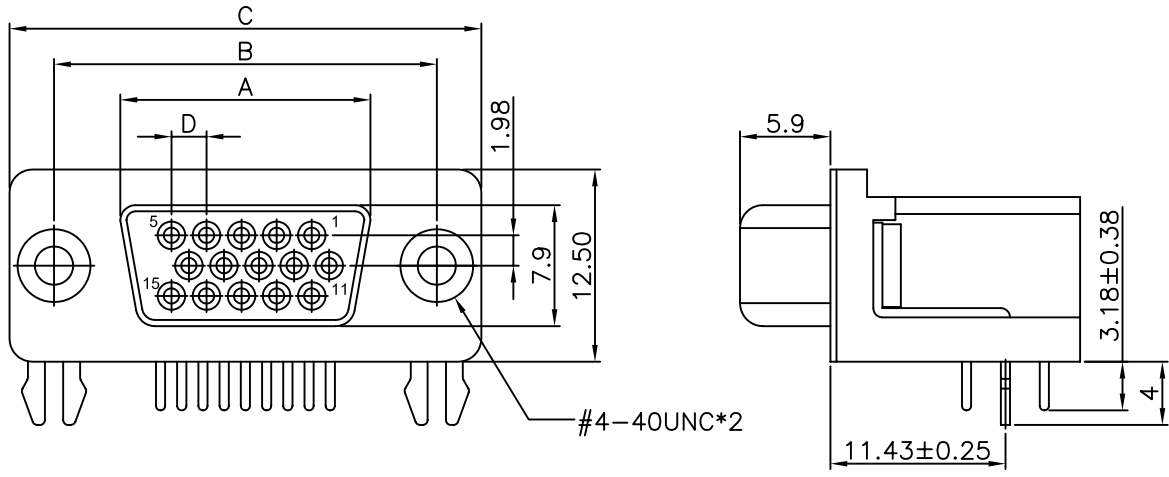


REV.	ECN.	DATE	DWN	APVD



POSITION	A±0.20	B±0.20	C±0.38	D	E	F
15 pin	16.30	25.00	30.80	2.29	0.25	0.89
26 pin	24.60	33.30	39.20	2.29	0.51	0.64
44 pin	38.35	47.05	53.05	2.29	0.51	0.64
62 pin	54.80	63.50	69.40	2.41	0.58	0.62

MATERIAL:

- INSULATOR : PBT+30% GLASS FIBER (UL 94V-0).
- CONTACT : COPPER ALLOY
- CONTACT FINISH : GOLD OVER NICKEL
- SHELL : STEEL ,NICKEL PLATED
- BOARDLOCK : BRASS,TIN PLATED
- RIVETED INSERT : BRASS,NICKEL PLATED

SPECIFICATION:

- CURRENT RATING : 2 AMP
- DIELECTRIC WITHSTANDING VOLTAGE : 1000V AC FOR 1 MINUTE.
- INSULATION RESISTANCE : 1000MΩ MIN. AT 500V DC.
- CONTACT RESISTANCE : 15mΩ MAX.
- OPERATING TEMPERATURE : -55°C ~ +105°C.

Order Information :

DRH - E 1 5 S B - N - 1 0 1
 1 2 3 4 5 6 7

1. SERIES NUMBER	DRH : HIGH DENSITY D-SUB 90° 8.89mm MOUNT
2. POSITION	E : 15 A : 26 B : 44 C : 62
3. POLARITY	SB : FEMALE
4. MATING AND MOUNTING OPTIONS	N : 4-40 THREADED RIVETED W/BOARDLOCK NJ : BOARDLOCK AND JACK SCREWS ASSEMBLED
5. PLATING	1 : SELECTIVE GOLD 4 : SELECTIVE 15u" GOLD 6 : SELECTIVE 30u" GOLD 0 : FULL GOLD © Standard : 1
6. INSULATOR COLOR	0 : BLACK 9 : 661C BLUE (15 PIN ONLY)
7. SHELL PLATING	1 : NICKEL

RoHS COMPLIANT

SINGATRON U. S. A.

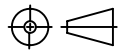
GENERAL TOLERANCE
 X.X ±0.25
 X.XX ±0.15
 X.XXX ±0.05
 ANGLE TOLERANCE ±1°
 RADIUS ±0.25
 HOLE ±0.13

DRAWN. Peter
 CHECKED.
 APPROVED.

DATE 05-10-2005
 DATE
 DATE

DRAWING NO. DH92-XX0XXX00-R W00001
 TITLE. HIGH DENSITY D-SUB CONNECTORS PCB RIGHT ANGEL FEMALE FOOTPRINT : 8.89mm
 PART NO. DRH-XXSB-X-XX1 REV A.0

SIZE A4 UNIT mm SCALE. 2 / 1 SHEET. 1 OF 1



REV.	ECN.	DATE	DWN	APVD

N

#4-40UNC

4-40 THREADED RIVETED W/BOARDLOCK

NJ

4.8

#4-40UNC

4-40 THREADED RIVETED W/BOARDLOCK AND JACK SCREWS

NH

5.8

#4-40UNC

RIVETED W/BOARDLOCK AND RIVETED HEX NUT

X

4.8

#4-40UNC

BOARDLOCK AND JACK SCREWS ASSEMBLED

N4

1.3

#4-40UNC

4-40 THREADED RIVETED W/4 PRONG BOARDLOCK

H

#4-40UNC

4-40 THREADED RIVETED W/Ø3.2 THROUGH HOLE

SINGATRON (U.S.A.)

GENERAL TOLERANCE
 X.X ± 0.25
 X.XX ± 0.15
 X.XXX ± 0.05
 ANGLE TOLERANCE ± 1°
 RADIUS ± 0.25
 HOLE ± 0.13

DRAWN. Peter
 CHECKED. HENRY
 APPROVED. HENRY

DATE 05 - 10 - 2005
 DATE 05 - 16 - 2005
 DATE 05 - 16 - 2005

DRAWING NO. DRH - MOUNT W00001
 TITLE. HIGH DENSITY D-SUB CONN. RIGHT ANGLE FOOTPRINT : 8.89mm
 PART NO. DRH - MOUNT REV A.0

SIZE A4 UNIT mm SCALE FREE SHEET 1 OF 1

