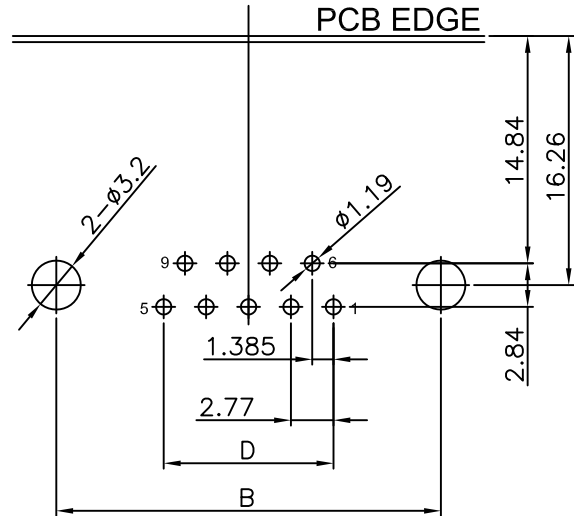
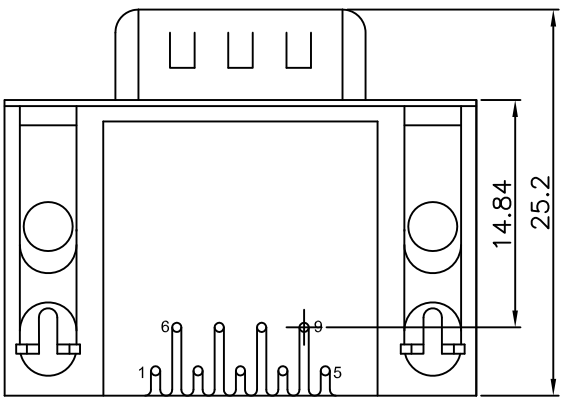
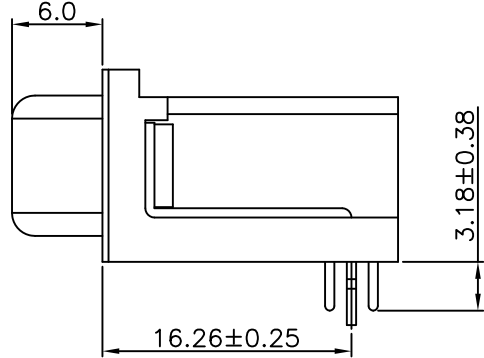
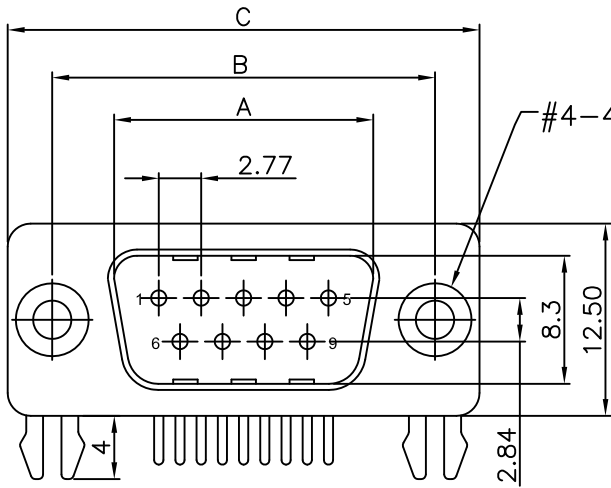


REV.	ECN.	DATE	DWN	APVD



MATERIAL:

INSULATOR : PBT+30% GLASS FIBER (UL 94V-0).
 CONTACT : COPPER ALLOY
 CONTACT FINISH : GOLD OVER NICKEL
 SHELL : STEEL ,NICKEL PLATED
 BOARDLOCK : BRASS,TIN PLATED
 RIVETED INSERT : BRASS,NICKEL PLATED

SPECIFICATION:

CURRENT RATING : 5 AMP
 DIELECTRIC WITHSTANDING VOLTAGE : 1000V AC FOR 1 MINUTE.
 INSULATION RESISTANCE : 1000MΩ MIN. AT 500V DC.
 CONTACT RESISTANCE : 15mΩ MAX.
 OPERATING TEMPERATURE : -55°C ~ +105°C.

Order Information :

D R L - E 0 9 P - P - 0 0 1
 1 2 3 4 5 6 7

1. SERIES NUMBER	DRL : D-SUB RIGHT ANGLE 14.84mm MOUNT
2. POSITION	E : 09 A : 15 B : 25 C : 37
3. POLARITY	P : MALE
4. MATING AND MOUNTING OPTIONS	P : 4-40 THREADED RIVETED W/BOARDLOCK ON LONG FLANGE PJ : BOARDLOCK AND JACK SCREWS ASSEMBLED ON LONG FLANGE SEE MOUNTING OPTION SHEET FOR OTHERS MOUNTING
5. PLATING	1 : SELECTIVE GOLD 4 : SELECTIVE 15u" GOLD 6 : SELECTIVE 30u" GOLD 0 : FULL GOLD ©STANDARD : 0
6. INSULATOR COLOR	0 : BLACK
7. SHELL PLATING	1 : NICKEL

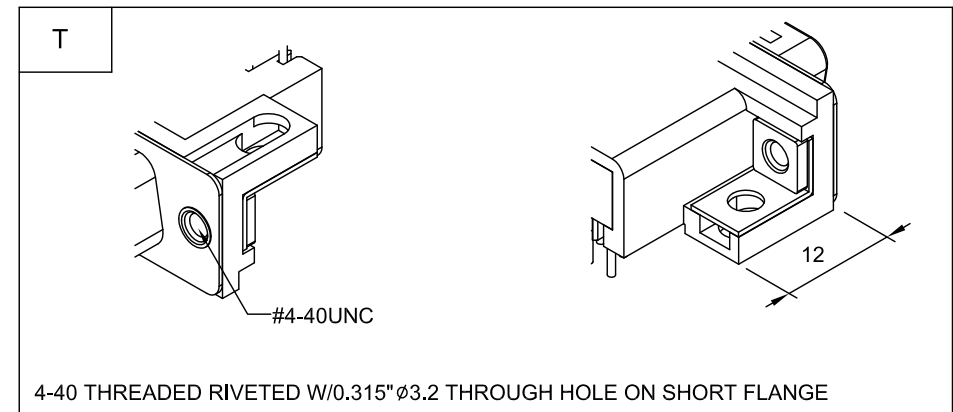
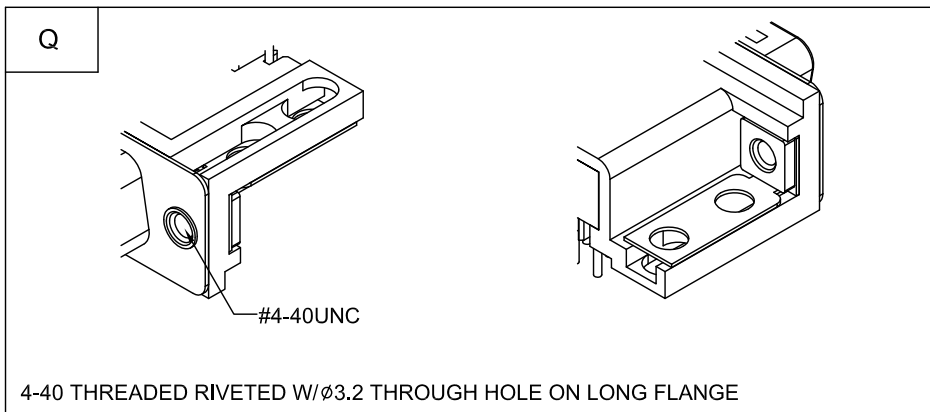
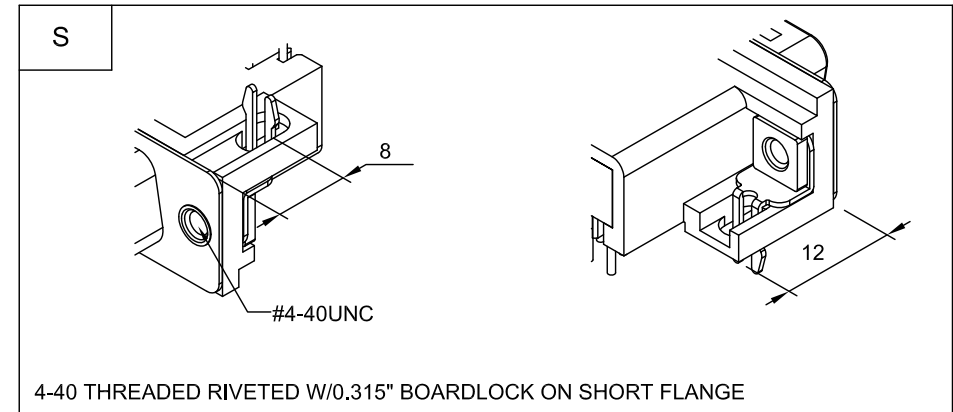
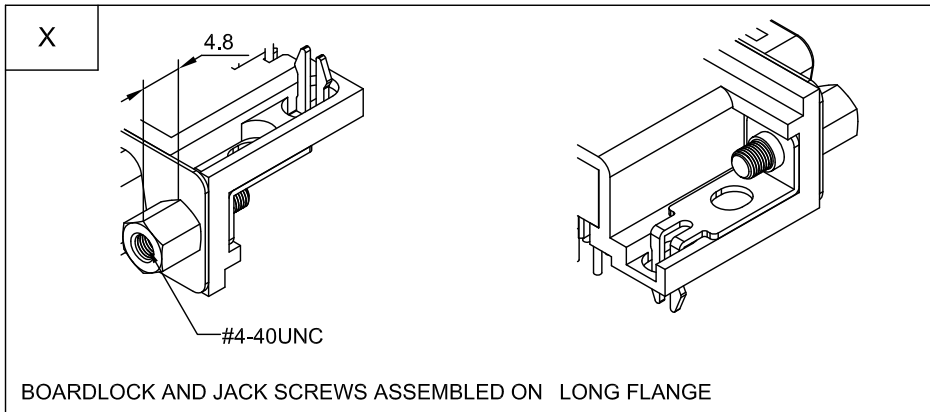
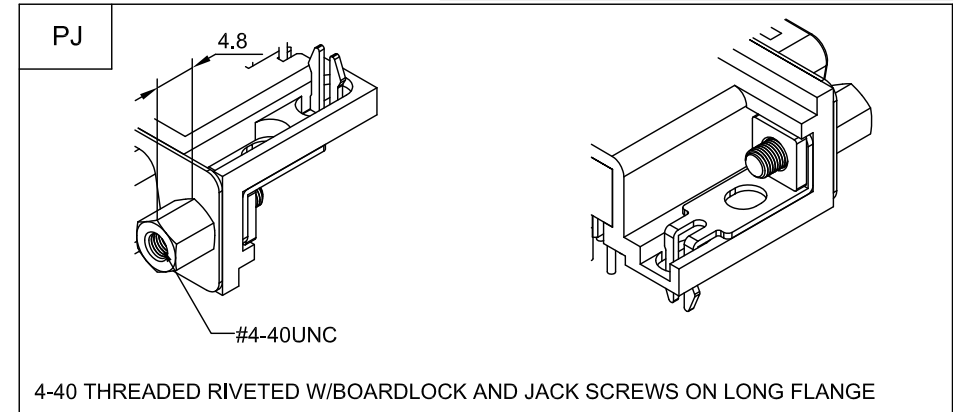
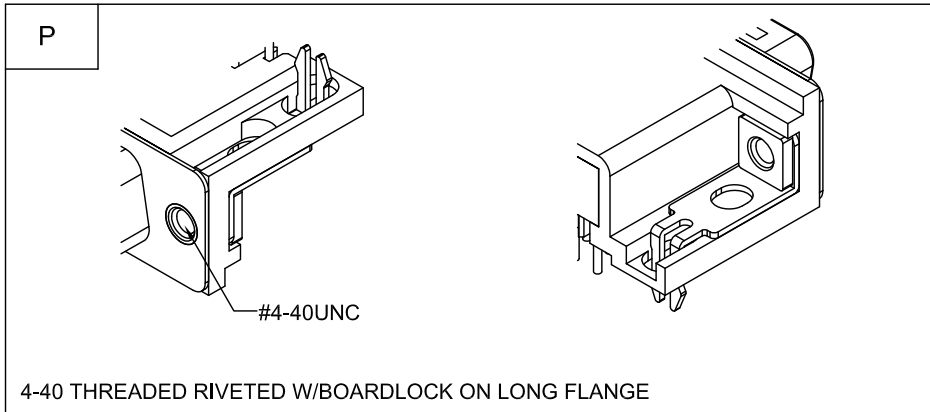
2. POSITION

Shell Size	A ± 0.20	B ± 0.20	C ± 0.38	D
09 Pin	16.90	25.00	30.80	11.08
15 Pin	25.25	33.30	39.20	19.39
25 Pin	38.95	47.05	53.05	33.24
37 Pin	55.40	63.50	69.40	49.86

RoHS COMPLIANT

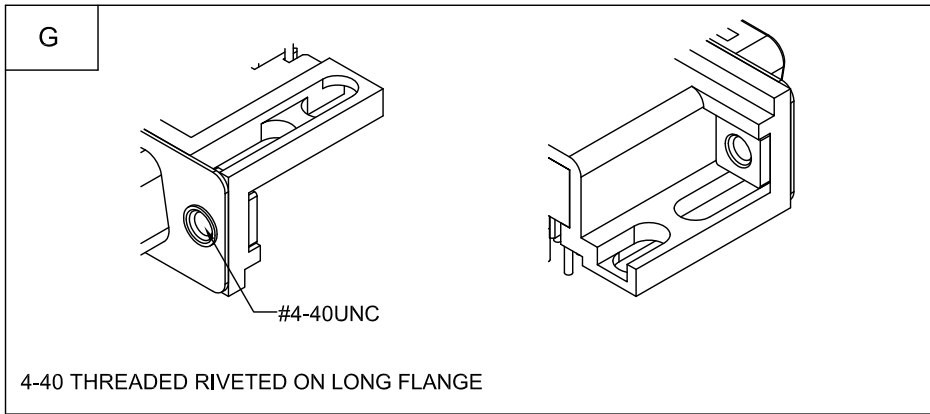
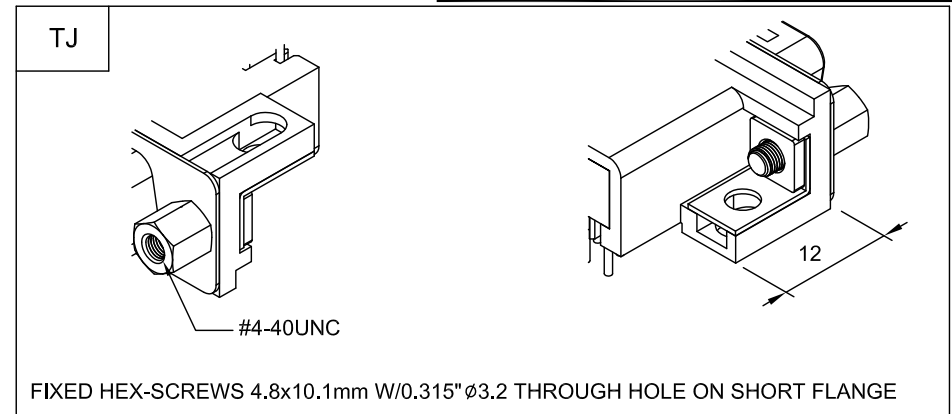
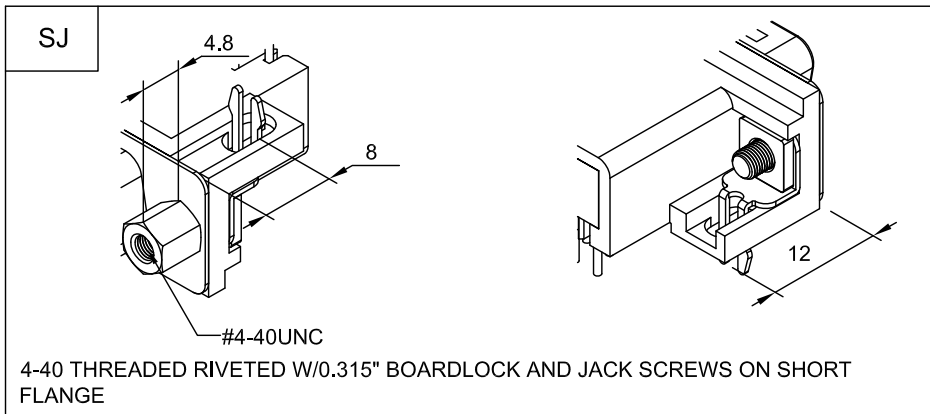
SINGATRON U. S. A.					GENERAL TOLERANCE X.X ± 0.25 X.XX ± 0.15 X.XXX ± 0.05 ANGLE TOLERANCE ± 1° RADIUS ± 0.25 HOLE ± 0.13	DRAWN. Peter	DATE 04-11-2005	DRAWING NO. DB91-XX1XXX00-R	W00001
						CHECKED. AMY	DATE 04-12-2005	TITLE. D-SUB CONN RIGHT ANGLE , FEMALE FOOTPRINT : 14.84mm	
SIZE A4	UNIT mm	SCALE. 2 / 1	SHEET. 1 OF 1	[Symbol]	APPROVED. HENRY	DATE 04-14-2005	PART NO. DRL-XXXP-X-001	REV	A.0

REV.	ECN.	DATE	DWN	APVD
A.1	ECN-070321-01	07/04/02	TRACY	HENRY



SINGATRON U.S.A.				GENERAL TOLERANCE		DRAWN. Peter		DATE 01 - 09 - 2015		DRAWING NO. DRL-MOUNT		CUSTOMER DRAWING			
				X.X ± 0.25		X.XX ± 0.15		CHECKED. HENRY		DATE 01 - 09 - 2015		TITLE. D-SUB CONN RIGHT ANGLE, FEMALE & MALE FOOTPRINT : 14.84mm			
SIZE A4		UNIT mm		SCALE. FREE		SHEET. 1 OF 1		APPROVED. HENRY		DATE 01 - 09 - 2015		PART NO. DRL-MOUNT		REV	A.1
				ANGLE TOLERANCE ± 1°											
				RADIUS ± 0.25											
				HOLE ± 0.13											

REV.	ECN.	DATE	DWN	APVD
A.1	ECN-070321-01	07/04/02	TRACY	HENRY



SINGATRON U.S.A.

GENERAL TOLERANCE
 X.X ± 0.25
 X.XX ± 0.15
 X.XXX ± 0.05
 ANGLE TOLERANCE ± 1°
 RADIUS ± 0.25
 HOLE ± 0.13

DRAWN. Peter
 CHECKED. HENRY
 APPROVED. HENRY

DATE 01 - 09 - 2015
 DATE 01 - 09 - 2015
 DATE 01 - 09 - 2015

DRAWING NO. DRL-MOUNT
 TITLE. D-SUB CONN RIGHT ANGLE, FEMALE & MALE FOOTPRINT : 14.84mm
 PART NO. DRL-MOUNT
 CUSTOMER DRAWING
 REV A.1

SIZE A4
 UNIT mm
 SCALE. FREE
 SHEET. 1 OF 1

