

MATERIAL:

INSULATOR : PBT+30% GLASS FIBER (UL 94V-0).
 CONTACT : COPPER ALLOY
 CONTACT FINISH : GOLD OVER NICKEL
 SHELL : STEEL ,NICKEL PLATED
 BOARDLOCK : BRASS,TIN PLATED
 RIVETED INSERT : BRASS,NICKEL PLATED

SPECIFICATION:

CURRENT RATING : 5 AMP
 DIELECTRIC WITHSTANDING VOLTAGE : 1000V AC FOR 1 MINUTE.
 INSULATION RESISTANCE : 1000MΩ MIN. AT 500V DC.
 CONTACT RESISTANCE : 15mΩ MAX.
 OPERATING TEMPERATURE : -55°C ~ +105°C.

Order Information :

D R L - E 0 9 S B - P - 0 0 1
 1 2 3 4 5 6 7

1. SERIES NUMBER	DRL : D-SUB RIGHT ANGLE 14.84mm MOUNT
2. POSITION	E : 09 A : 15 B : 25 C : 37
3. POLARITY	SB : FEMALE
4. MATING AND MOUNTING OPTIONS	P : 4-40 THREADED RIVETED W/BOARDLOCK ON LONG FLANGE PJ : BOARDLOCK AND JACK SCREWS ASSEMBLED ON LONG FLANGE SEE MOUNTING OPTION SHEET FOR OTHERS MOUNTING
5. PLATING	1 : SELECTIVE GOLD 4 : SELECTIVE 15u" GOLD 6 : SELECTIVE 30u" GOLD 0 : FULL GOLD ©STANDARD : 0
6. INSULATOR COLOR	0 : BLACK
7. SHELL PLATING	1 : NICKEL

RoHS COMPLIANT

2. POSITION

Shell Size	A ± 0.25	B ± 0.25	C ± 0.38	D
09 Pin	16.33	24.99	30.80	11.08
15 Pin	24.66	33.32	39.10	19.39
25 Pin	38.38	47.04	53.00	33.24
37 Pin	54.84	63.50	69.32	49.86

SINGATRON U. S. A.

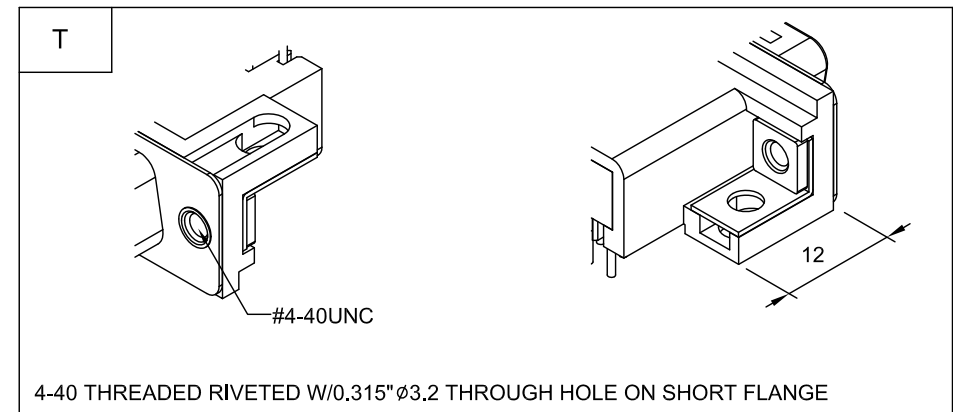
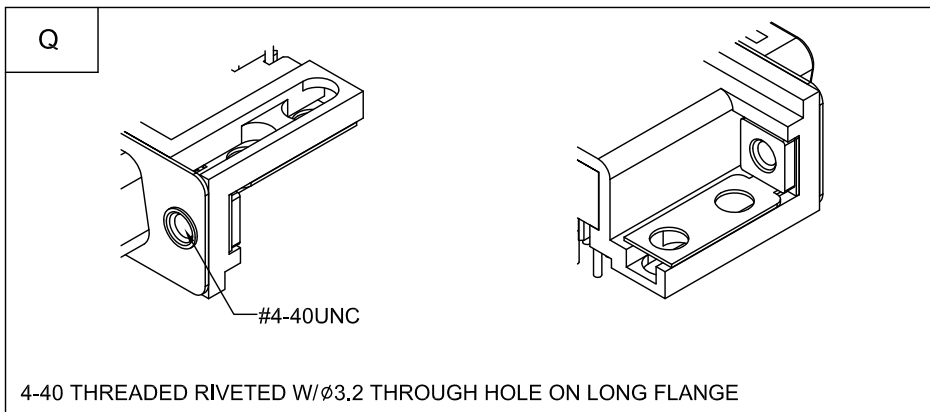
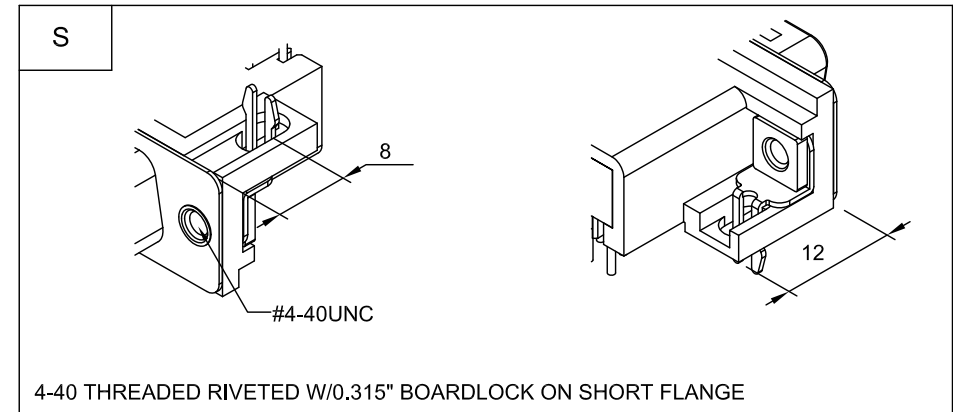
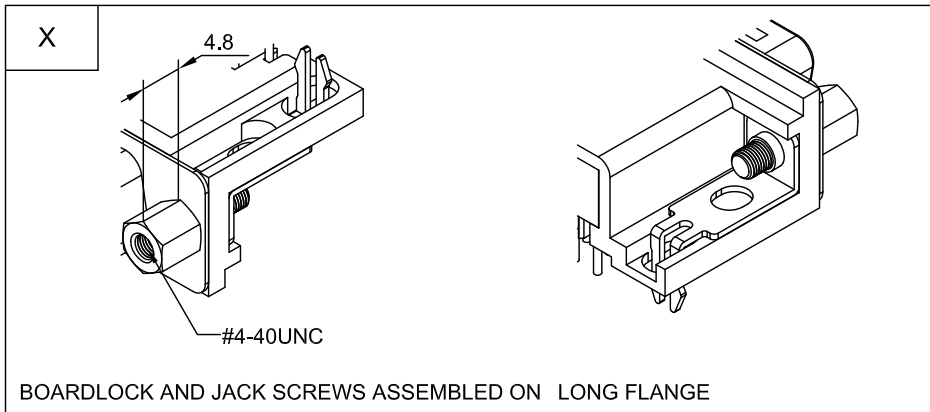
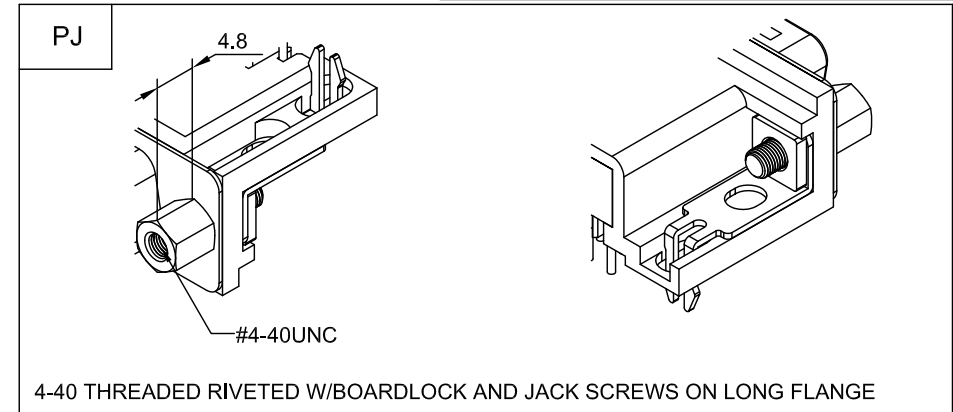
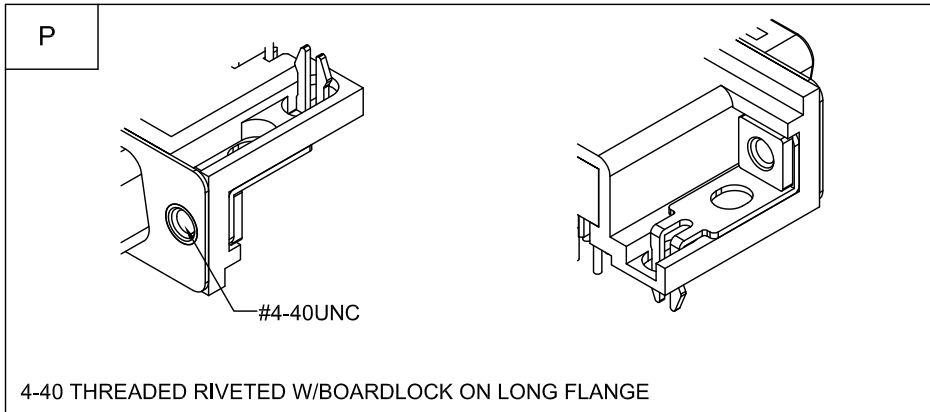
GENERAL TOLERANCE
 X.X ± 0.25
 X.XX ± 0.15
 X.XXX ± 0.05
 ANGLE TOLERANCE ± 1°
 RADIUS ± 0.25
 HOLE ± 0.13

DRAWN. Peter
 CHECKED. AMY
 APPROVED. HENRY

DATE 04-11-2005
 DATE 04-12-2005
 DATE 04-14-2005

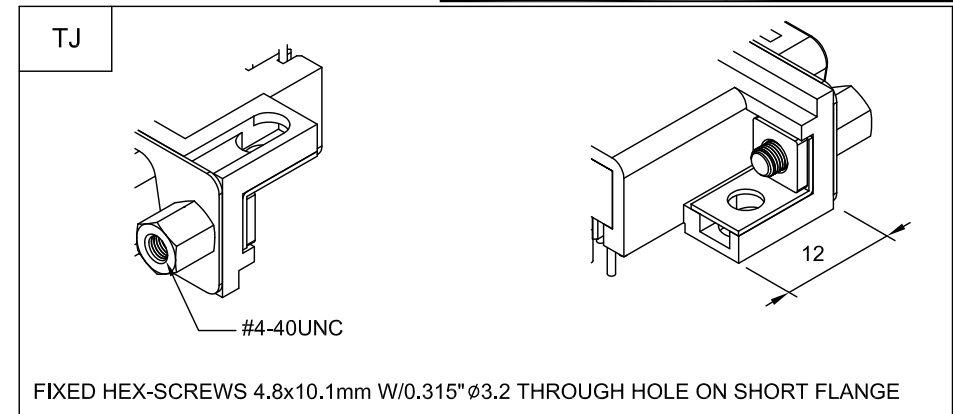
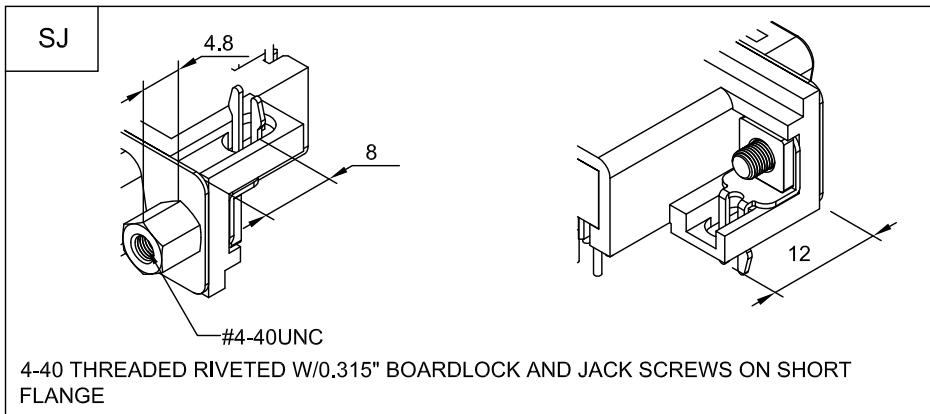
DRAWING NO. DB91-XX0XXX00-R W00001
 TITLE. D-SUB CONN RIGHT ANGLE , FEMALE FOOTPRINT : 14.84mm
 PART NO. DRL-XXSB-P-001 REV A.0

REV.	ECN.	DATE	DWN	APVD
A.1	ECN-070321-01	07/04/02	TRACY	HENRY



SINGATRON U.S.A.				GENERAL TOLERANCE		DRAWN. Peter		DATE 04 - 22 - 2005		DRAWING NO. DRL-MOUNT		CUSTOMER DRAWING			
				X.X ± 0.25		X.XX ± 0.15		CHECKED. HENRY		DATE 04 - 22 - 2005		TITLE. D-SUB CONN RIGHT ANGLE, FEMALE & MALE FOOTPRINT : 14.84mm			
SIZE A4		UNIT mm		SCALE. FREE		SHEET. 1 OF 1		APPROVED. HENRY		DATE 04 - 22 - 2005		PART NO. DRL-MOUNT		REV	A.1
				ANGLE TOLERANCE ± 1°											
				RADIUS ± 0.25											
				HOLE ± 0.13											

REV.	ECN.	DATE	DWN	APVD
A.1	ECN-070321-01	07/04/02	TRACY	HENRY



SINGATRON U.S.A.

GENERAL TOLERANCE
 X.X ± 0.25
 X.XX ± 0.15
 X.XXX ± 0.05
 ANGLE TOLERANCE ± 1°
 RADIUS ± 0.25
 HOLE ± 0.13

DRAWN. Peter
 CHECKED. HENRY
 APPROVED. HENRY

DATE 04 - 22 - 2005
 DATE 04 - 22 - 2005
 DATE 04 - 22 - 2005

DRAWING NO. DRL-MOUNT
 CUSTOMER DRAWING
 TITLE. D-SUB CONN RIGHT ANGLE, FEMALE & MALE FOOTPRINT : 14.84mm
 PART NO. DRL-MOUNT
 REV A.1

SIZE A4	UNIT mm	SCALE. FREE	SHEET. 1 OF 1	
------------	------------	----------------	------------------	--