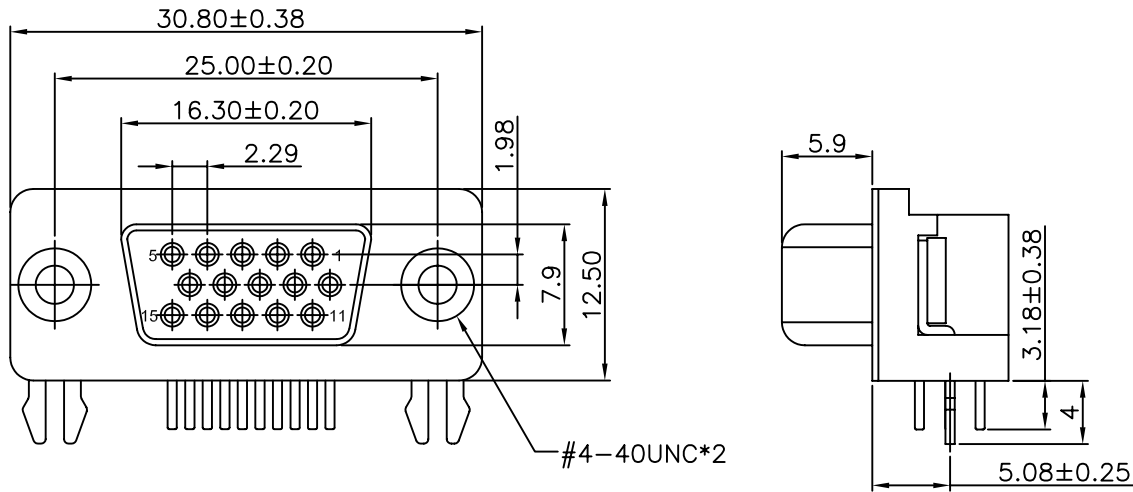


REV.	ECN.	DATE	DWN	APVD

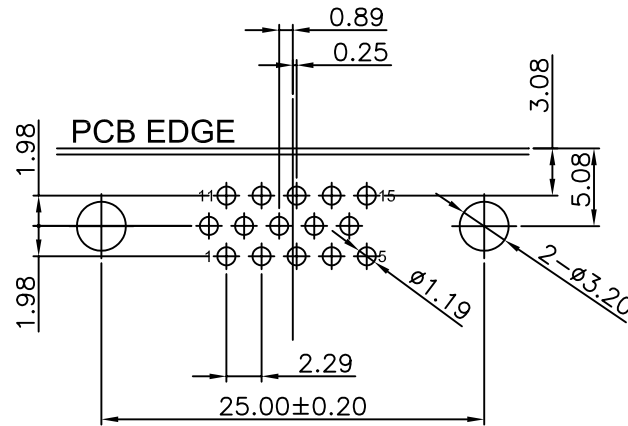
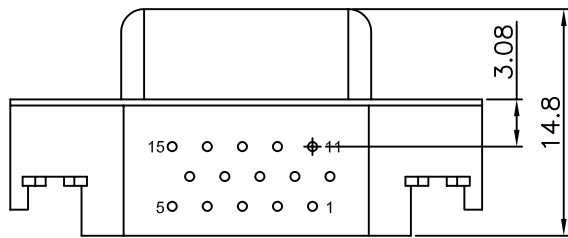


MATERIAL:

INSULATOR : PBT+30% GLASS FIBER (UL 94V-0).
 CONTACT : COPPER ALLOY
 CONTACT FINISH : GOLD OVER NICKEL
 SHELL : STEEL ,NICKEL PLATED
 BOARDLOCK : BRASS,TIN PLATED
 RIVETED INSERT : BRASS,NICKEL PLATED

SPECIFICATION:

CURRENT RATING : 2 AMP
 DIELECTRIC WITHSTANDING VOLTAGE : 1000V AC FOR 1 MINUTE.
 INSULATION RESISTANCE : 1000MΩ MIN. AT 500V DC.
 CONTACT RESISTANCE : 15mΩ MAX.
 OPERATING TEMPERATURE : -55°C ~ +105°C.



Order Information :

DRSH - E 1 5 S B - N - 1 0 1
 1 2 3 4 5 6 7

1. SERIES NUMBER	DRSH : HIGH DENSITY D-SUB 90° 3.08mm MOUNT
2. POSITION	E : 15
3. POLARITY	SB : FEMALE
4. MATING AND MOUNTING OPTIONS	N : 4-40 THREADED RIVETED W/BOARDLOCK NJ : 4-40 THREADED RIVETED W/BOARDLOCK AND JACK SCREW
5. PLATING	1 : SELECTIVE GOLD 4 : SELECTIVE 15u" GOLD 6 : SELECTIVE 30u" GOLD
6. INSULATOR COLOR	0 : BLACK
7. SHELL PLATING	1 : NICKEL

RoHS compliant

SINGATRON U. S. A.

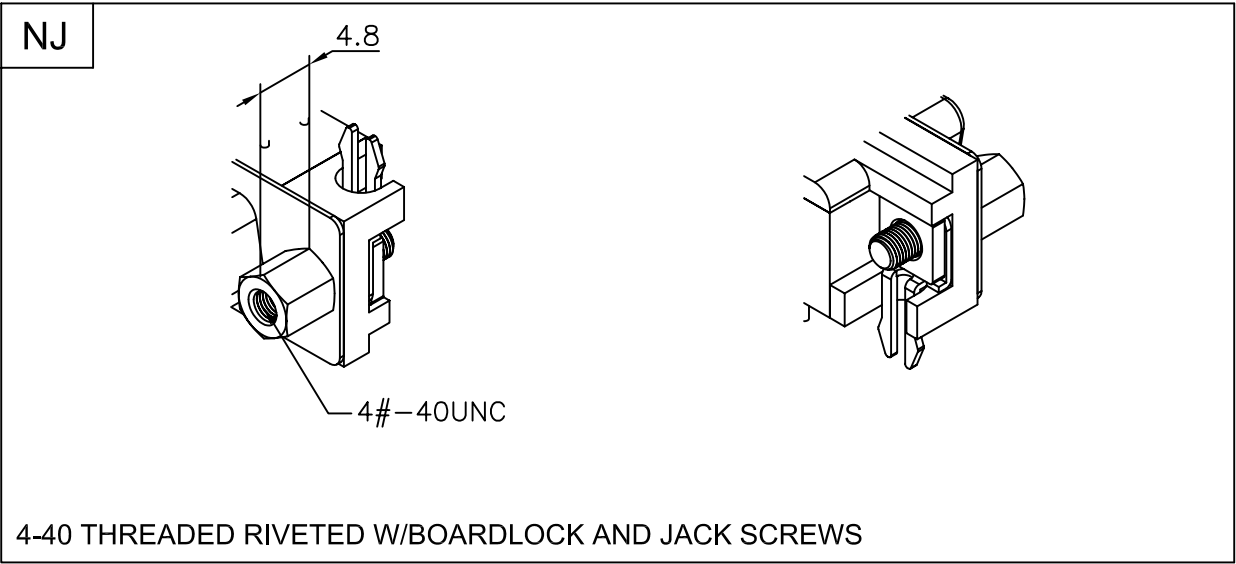
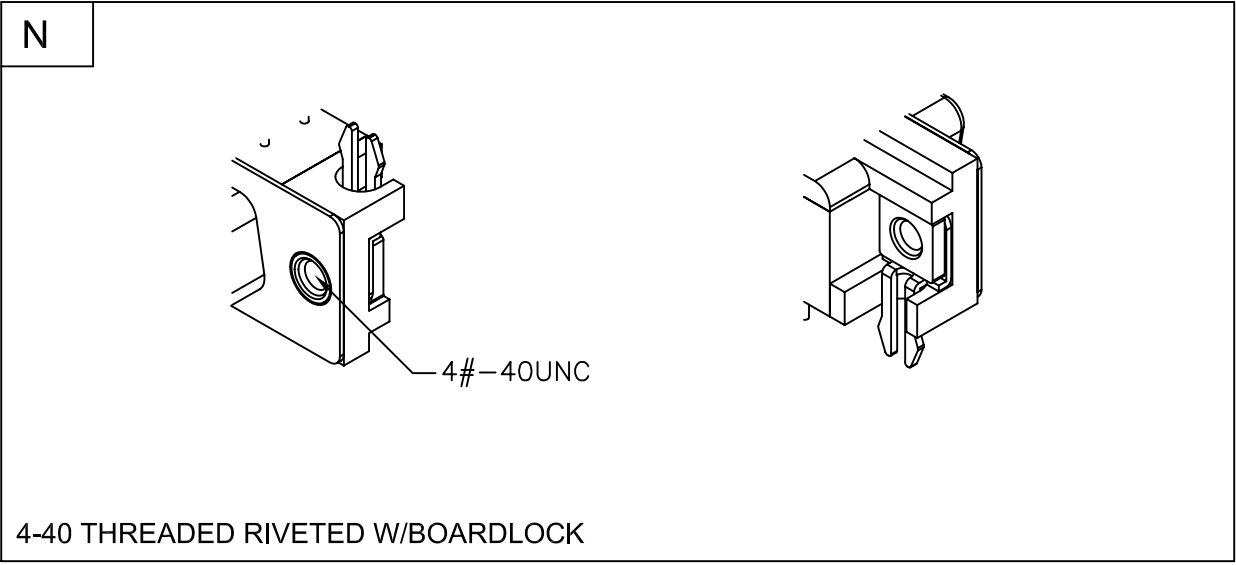
GENERAL TOLERANCE
 X.X ±0.25
 X.XX ±0.15
 X.XXX ±0.05
 ANGLE TOLERANCE ±1°
 RADIUS ±0.25
 HOLE ±0.13

DRAWN.	Jean	DATE	06 - 30 - 2005
CHECKED.		DATE	
APPROVED.		DATE	

DRAWING NO.	DH94-150XXXX00-R	W00001
TITLE.	HIGH DENSITY D-SUB CONNECTORS PCB RIGHT ANGEL FEMALE FOOTPRINT : 3.08mm	
PART NO.	DRSH-E15SB-X-X01	REV A.0

SIZE A4	UNIT mm	SCALE. 2 / 1	SHEET. 1 OF 1	
---------	---------	--------------	---------------	--

REV.	ECN.	DATE	DWN	APVD



SINGATRON U. S. A.

SIZE A4 UNIT mm SCALE FREE SHEET 1 OF 1

GENERAL TOLERANCE
 X.X ±0.25
 X.XX ±0.15
 X.XXX ±0.05
 ANGLE TOLERANCE ±1°
 RADIUS ±0.25
 HOLE ±0.13

DRAWN. Peter
 CHECKED.
 APPROVED.

DATE 05 - 11 - 2005
 DATE
 DATE

DRAWING NO. DH94-MOUNT
 TITLE. HIGH DENSITY D-SUB CONNECTORS PCB
 RIGHT ANGEL FEMALE FOOTPRINT : 3.08mm
 PART NO. DRSH-MOUNT

W00001
 REV A.0